

# HC-STA-B24-HHFS-1STM32-EL-AL - Housing



1412757

<https://www.phoenixcontact.com/us/products/1412757>

Please be informed that the data shown in this PDF document is generated from our Online Catalog. Please find the complete data in the user documentation. Our General Terms of Use for Downloads are valid.



Sleeve housing B24, for single locking latch, material: Die-cast aluminum, salt water resistant, cable outlets: 1, lateral, 1x M32, height: 76 mm, cable gland: none, Standard

## Your advantages

- Good shielding in the event of electromagnetic interference

## Commercial Data

Item number	1412757
Packing unit	1 pc
Minimum order quantity	1 pc
Sales Key	B10
Product Key	BF7APB
Catalog Page	Page 634 (C-2-2019)
GTIN	4055626060231
Weight per Piece (including packing)	291.5 g
Weight per Piece (excluding packing)	280.7 g
Customs tariff number	85389099
Country of origin	PL

1412757

<https://www.phoenixcontact.com/us/products/1412757>

## Technical Data

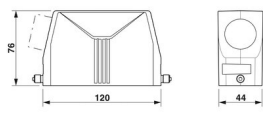
### Notes

General	for contact inserts HC-B24, BB46, D64, DD108, HV10/16, M
---------	--

### Product properties

Type	B24
Product type	Housing with locking latch
Application	Standard
No. of cable outlets	1
Type of the screw connection	1x M32
Housing type	Sleeve housing
Locking type	for single locking latch
Cable outlet	lateral
Pg screw connection	none

### Dimensions

Dimensional drawing	
Width	44 mm
Height	76 mm
Length	120 mm

### Material specifications

Color	gray aluminum
Housing surface material	uncoated
Impact strength	IK08
Housing material	Die-cast aluminum, salt water resistant

### Mechanical properties

#### Mechanical data

Type of the screw connection	1x M32
Locking type	Pin

### Environmental and real-life conditions

#### Ambient conditions

Degree of protection	IP66
	IP67
	4 (UL 50e)
	4X (UL 50e)

# HC-STA-B24-HHFS-1STM32-EL-AL - Housing



1412757

<https://www.phoenixcontact.com/us/products/1412757>

	12 (UL 50e)
Impact strength	IK08
Ambient temperature (operation)	-40 °C ... 125 °C

# HC-STA-B24-HHFS-1STM32-EL-AL - Housing

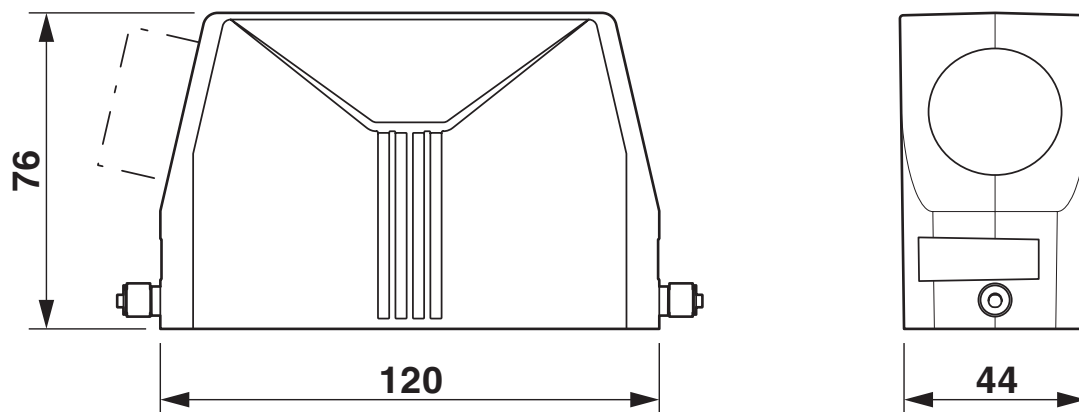
1412757

<https://www.phoenixcontact.com/us/products/1412757>



## Drawings

Dimensional drawing



Dimensional drawing

1412757

<https://www.phoenixcontact.com/us/products/1412757>

## Approvals

**DNV**

Approval ID: TAE000037S



**cUL Recognized**

Approval ID: E255026



**UL Recognized**

Approval ID: E255026



**EAC**

Approval ID: RU C-DE.AI30.B.01102



**EAC**

Approval ID: RU C-DE.BL08.B.00511

**cULus Recognized**

1412757

<https://www.phoenixcontact.com/us/products/1412757>

## Classifications

### ECLASS

ECLASS-9.0	27440202
ECLASS-10.0.1	27440202
ECLASS-11.0	27440202

### ETIM

ETIM 8.0	EC000437
----------	----------

### UNSPSC

UNSPSC 21.0	31261500
-------------	----------

# HC-STA-B24-HHFS-1STM32-EL-AL - Housing



1412757

<https://www.phoenixcontact.com/us/products/1412757>

## Environmental Product Compliance

China RoHS	Environmentally friendly use period: unlimited = EFUP-e
	No hazardous substances above threshold values

1412757

<https://www.phoenixcontact.com/us/products/1412757>

## Accessories

### G-INS-M32-M68N-NNES-S - Cable gland

1411166

<https://www.phoenixcontact.com/us/products/1411166>



Cable gland, material for screw connection: Nickel-plated brass, external cable diameter 15 mm ... 21 mm, shielding: no, connecting thread: M32 x 1.5, color: silver, with O-ring

---

### G-INSEC-M32-M68N-NCRS-S - Cable gland

1411191

<https://www.phoenixcontact.com/us/products/1411191>



Cable gland, material for screw connection: Nickel-plated brass, external cable diameter 14 mm ... 21 mm, shielding: yes, connecting thread: M32 x 1.5, color: silver, with O-ring

# HC-STA-B24-HHFS-1STM32-EL-AL - Housing



1412757

<https://www.phoenixcontact.com/us/products/1412757>

## US-EMLP (20X9) CUS - Plastic label

0830085

<https://www.phoenixcontact.com/us/products/0830085>

Plastic label, can be ordered: by card, white, labeled according to customer specifications, mounting type: adhesive, lettering field size: 20 x 9 mm, Number of individual labels: 75



---

## HC-B24-HCWS-PLR-BK - Protective cover

1346550

<https://www.phoenixcontact.com/us/products/1346550>

Protective cover B24, with single locking latch, protective cover material: PC, height: 26.3 mm, seal: yes



# HC-STA-B24-HHFS-1STM32-EL-AL - Housing



1412757

<https://www.phoenixcontact.com/us/products/1412757>

## US-EMLP-HA (20X9) - Plastic label

0830989

<https://www.phoenixcontact.com/us/products/0830989>



Plastic label, Card, white, unlabeled, can be labeled with: BLUEMARK ID COLOR, BLUEMARK ID, THERMOMARK PRIME, THERMOMARK CARD 2.0, THERMOMARK CARD, mounting type: adhesive, lettering field size: 20 x 9 mm, Number of individual labels: 70

---

## WP-G HF IP66 M32 BK - Screw connection

3240900

<https://www.phoenixcontact.com/us/products/3240900>



Cable gland, metric thread, IP66 protection, straight

# HC-STA-B24-HHFS-1STM32-EL-AL - Housing

1412757

<https://www.phoenixcontact.com/us/products/1412757>

## WP-G HF IP69K M32 BK - Screw connection

3240886

<https://www.phoenixcontact.com/us/products/3240886>



Cable gland, metric thread, IP68/69k protection, straight

---

## WP-GA HF IP66 M32 BK - Screw connection

3240928

<https://www.phoenixcontact.com/us/products/3240928>



Cable gland, metric thread, IP66 protection, angled

# HC-STA-B24-HHFS-1STM32-EL-AL - Housing

1412757

<https://www.phoenixcontact.com/us/products/1412757>



## WP-GA HF IP69K M32 BK - Screw connection

3240914

<https://www.phoenixcontact.com/us/products/3240914>

Cable gland, metric thread, IP68/69k protection, angled



---

## WP-GR HF IP66 M32 BK - Screw connection

3240956

<https://www.phoenixcontact.com/us/products/3240956>

Cable gland, metric thread, IP66 protection, with strain relief



# HC-STA-B24-HHFS-1STM32-EL-AL - Housing

1412757

<https://www.phoenixcontact.com/us/products/1412757>



## WP-GR HF IP69K M32 BK - Screw connection

3240942

<https://www.phoenixcontact.com/us/products/3240942>



Cable gland, metric thread, IP68/69k protection, with strain relief

---

## WP-G PP HF M32 - Screw connection

3241000

<https://www.phoenixcontact.com/us/products/3241000>



Cable gland made from PP with metric thread, IP65 protection

# HC-STA-B24-HHFS-1STM32-EL-AL - Housing

1412757

<https://www.phoenixcontact.com/us/products/1412757>

## WP-GT PP HF M32 - Screw connection

3241014

<https://www.phoenixcontact.com/us/products/3241014>



Cable gland made from PP with metric thread, rotatable, IP54 protection

---

## WP-G BRASS IP40 M32 - Screw connection

3241049

<https://www.phoenixcontact.com/us/products/3241049>



Cable gland made from brass with metric thread, IP40 protection

# HC-STA-B24-HHFS-1STM32-EL-AL - Housing



1412757

<https://www.phoenixcontact.com/us/products/1412757>

## WP-GT BRASS M32 - Screw connection

3241035

<https://www.phoenixcontact.com/us/products/3241035>

Cable gland made from brass with metric thread, rotatable, IP40 protection



---

## WP-G BRASS IP65 M32 - Screw connection

3241063

<https://www.phoenixcontact.com/us/products/3241063>

Cable gland made from brass with metric thread, IP65 protection



---

Phoenix Contact 2023 © - all rights reserved  
<https://www.phoenixcontact.com>

Phoenix Contact USA  
586 Fulling Mill Road  
Middletown, PA 17057, United States  
(+717) 944-1300  
[info@phoenixcon.com](mailto:info@phoenixcon.com)