

316770-1 ✓ ACTIVE

Power Double Lock

TE Internal #: 316770-1

Rectangular Connector Locking, Double Lock Plate, 1 Position, UL 94V-0, -22 – 221 °F [-30 – 105 °C], Power Double Lock

[View on TE.com >](#)



Connectors > Rectangular Connectors > Rectangular Connector Accessories > Rectangular Connector Locking



Connector & Contact Retention Accessory Type: **Double Lock Plate**

Number of Positions: **1**

UL Flammability Rating: **UL 94V-0**

Operating Temperature Range: **-30 – 105 °C [-22 – 221 °F]**

Features

Product Type Features

| | |
|--|-------------------|
| Connector & Contact Retention Accessory Type | Double Lock Plate |
|--|-------------------|

Configuration Features

| | |
|---------------------|---|
| Number of Positions | 1 |
|---------------------|---|

Body Features

| | |
|--------------------------|-----------------------|
| Primary Product Material | Glass-Filled Nylon 66 |
|--------------------------|-----------------------|

| | |
|-----------------------|---------|
| Primary Product Color | Natural |
|-----------------------|---------|

Dimensions

| | |
|----------------|--------|
| Product Length | 8.2 mm |
|----------------|--------|

| | |
|----------------|---------|
| Product Height | 4.45 mm |
|----------------|---------|

Usage Conditions

| | |
|-----------------------------|----------------------------|
| Operating Temperature Range | -30 – 105 °C[-22 – 221 °F] |
|-----------------------------|----------------------------|

Industry Standards

| | |
|------------------|-------------------------------|
| Glow Wire Rating | Standard Part - Not Glow Wire |
|------------------|-------------------------------|

| | |
|------------------------|----------|
| UL Flammability Rating | UL 94V-0 |
|------------------------|----------|



Packaging Features

| | |
|--------------------|---------|
| Packaging Quantity | 2000 |
| Packaging Method | Bag/Box |

Other

| | |
|-----------------------------|--|
| Connector Accessory Comment | Quantity required based on connector being used. |
|-----------------------------|--|

Product Compliance

[For compliance documentation, visit the product page on TE.com>](#)

| | |
|---|---|
| EU RoHS Directive 2011/65/EU | Compliant |
| EU ELV Directive 2000/53/EC | Compliant |
| China RoHS 2 Directive MIIT Order No 32, 2016 | No Restricted Materials Above Threshold |
| EU REACH Regulation (EC) No. 1907/2006 | Current ECHA Candidate List: JUNE 2023 (235) Candidate List Declared Against: JUNE 2023 (235) Does not contain REACH SVHC |
| Halogen Content | Not Low Halogen - contains Br or Cl > 900 ppm. |
| Solder Process Capability | Not applicable for solder process capability |

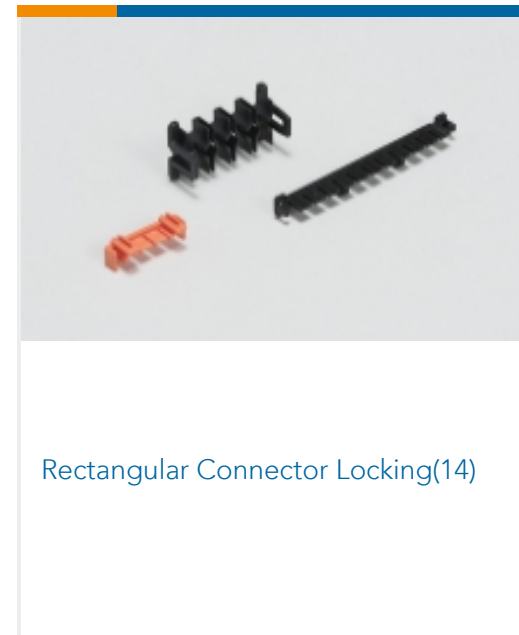
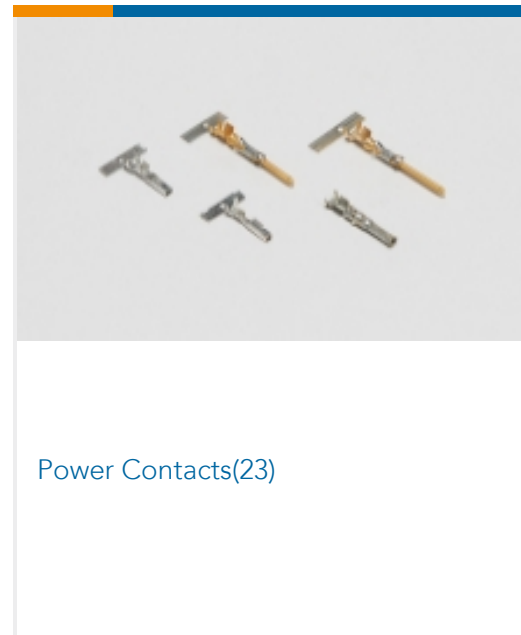
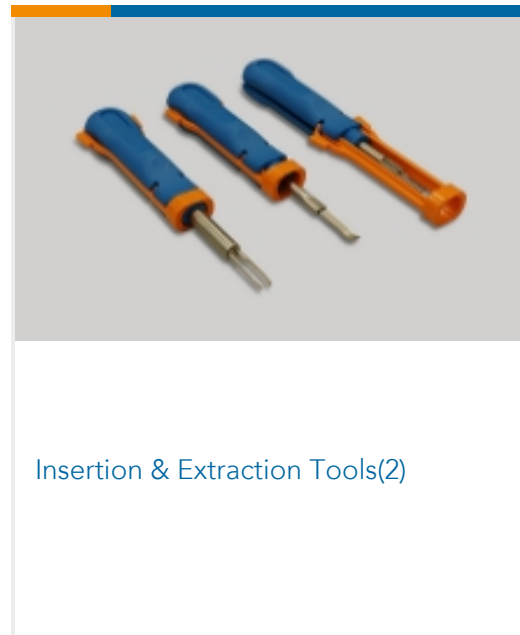
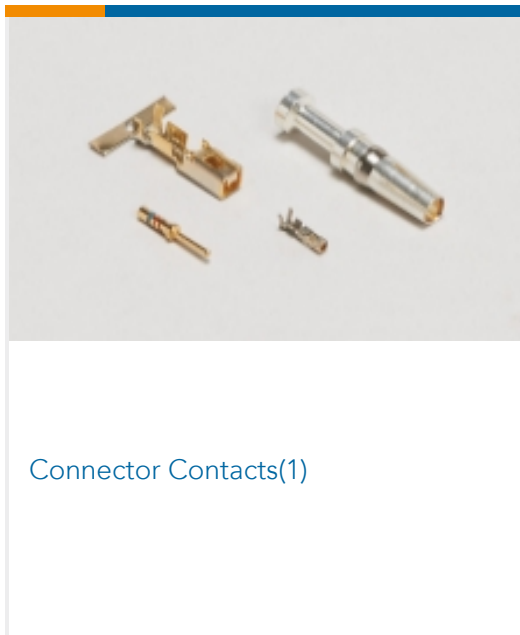
Product Compliance Disclaimer

This information is provided based on reasonable inquiry of our suppliers and represents our current actual knowledge based on the information they provided. This information is subject to change. The part numbers that TE has identified as EU RoHS compliant have a maximum concentration of 0.1% by weight in homogenous materials for lead, hexavalent chromium, mercury, PBB, PBDE, DBP, BBP, DEHP, DIBP, and 0.01% for cadmium, or qualify for an exemption to these limits as defined in the Annexes of Directive 2011/65/EU (RoHS2). Finished electrical and electronic equipment products will be CE marked as required by Directive 2011/65/EU. Components may not be CE marked. Additionally, the part numbers that TE has identified as EU ELV compliant have a maximum concentration of 0.1% by weight in homogenous materials for lead, hexavalent chromium, and mercury, and 0.01% for cadmium, or qualify for an exemption to these limits as defined in the Annexes of Directive 2000/53/EC (ELV). Regarding the REACH Regulation, the information TE provides on SVHC in articles for this part number is based on the latest European Chemicals Agency (ECHA) 'Guidance on requirements for substances in articles' posted at this URL: <https://echa.europa.eu/guidance-documents/guidance-on-reach>

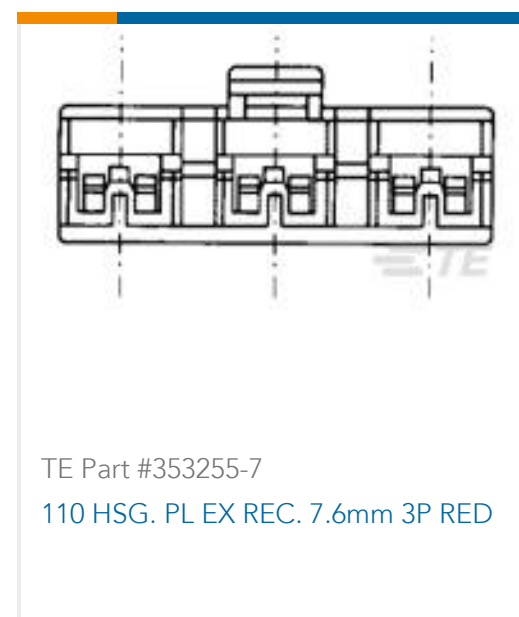
Compatible Parts

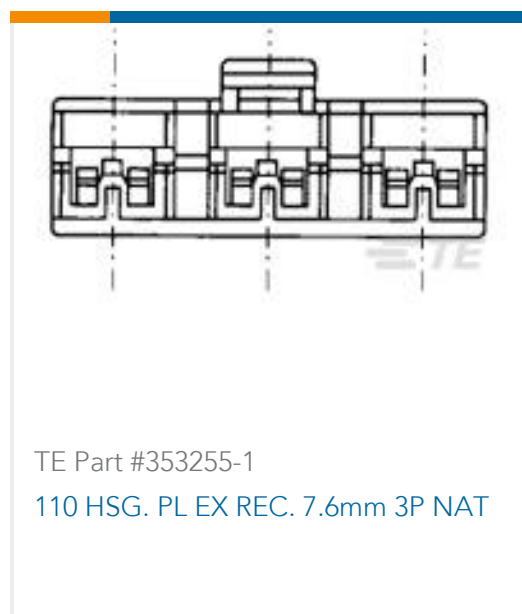


Also in the Series | Power Double Lock



Customers Also Bought





Documents

Product Drawings

[AMP POWER DBL LOCK 1P PLATE](#)

English

CAD Files

Customer View Model

[ENG_CVM_CVM_316770-1_E.2d_dxf.zip](#)

English

[3D PDF](#)

3D

Customer View Model

[ENG_CVM_CVM_316770-1_E.3d_igs.zip](#)

English

Customer View Model

[ENG_CVM_CVM_316770-1_E.3d_stp.zip](#)

English

By downloading the CAD file I accept and agree to the [Terms and Conditions](#) of use.

Datasheets & Catalog Pages

[SOFT_SHELL_PIN_AND_SOCKET_CONNECTORS_CATALOG](#)

English

[1773458-5_POWER_DBL_LOCK_\(PDL\)_CONNECTORS](#)

English

Product Specifications

[Application Specification](#)

English

Product Environmental Compliance

[Product Compliance Document](#)

English

[Product Compliance Document](#)

English

Instruction Sheets

[Instruction Sheet \(non U.S.\)](#)

316770-1

Rectangular Connector Locking, Double Lock Plate, 1 Position, UL 94V-0, -22 – 221 °F
[-30 – 105 °C], Power Double Lock



English

AMP POWER DOUBLELOCK CONNECTOR SERIES

English