

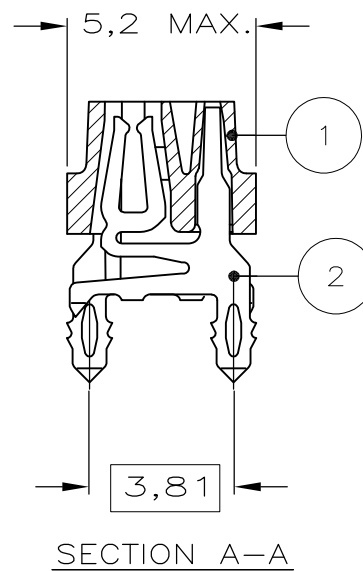
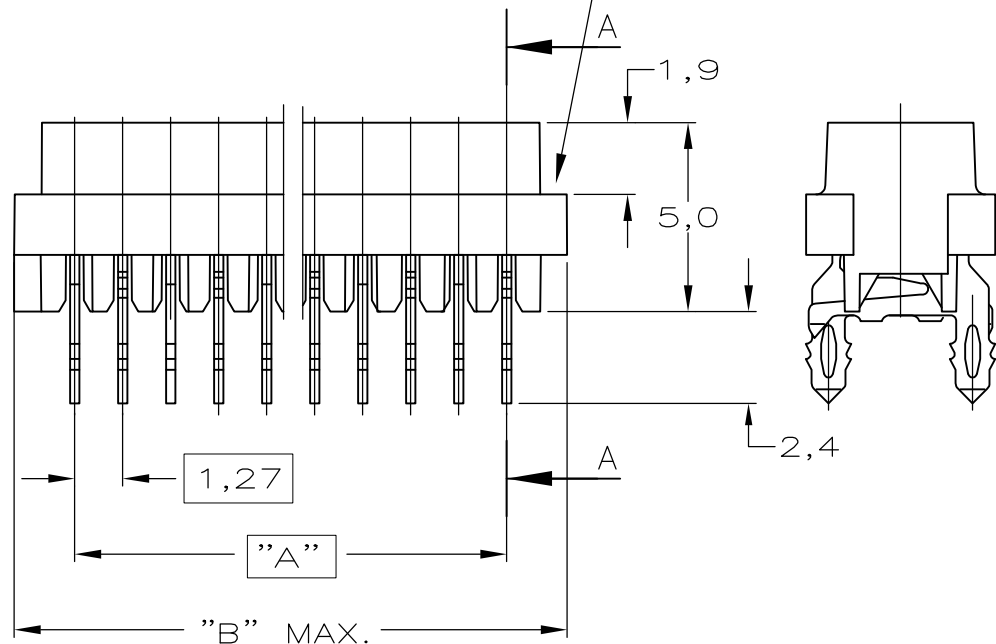
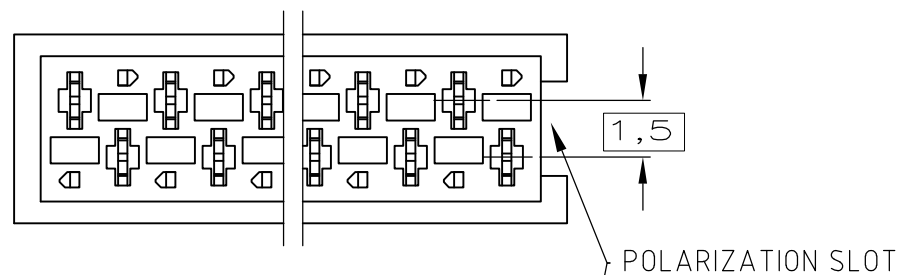
THIS DRAWING IS UNPUBLISHED.

RELEASED FOR PUBLICATION

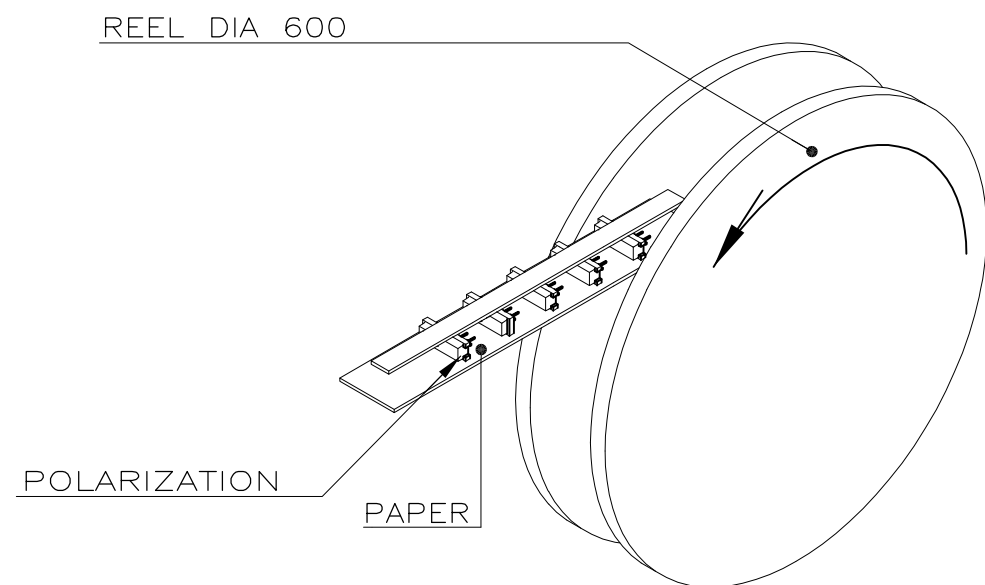
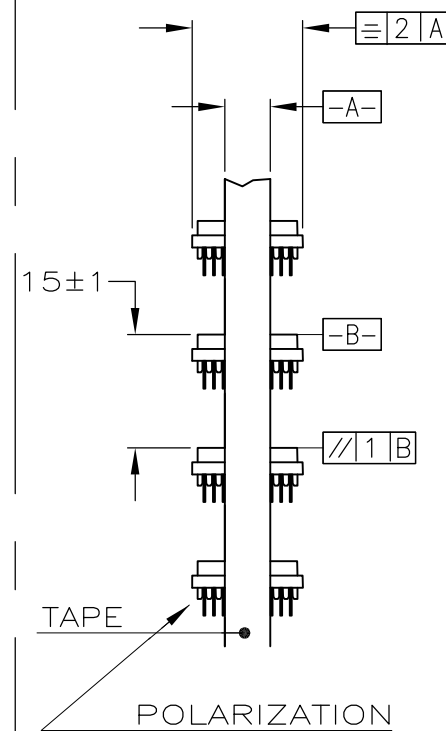
ALL RIGHTS RESERVED.

© COPYRIGHT - By -

LOC	DIST	REVISIONS					
		P	LTR	DESCRIPTION	DATE	DWN	APVD
-	-		G1	Adhesive tape width changed back to 6 mm	09FEB2016	SS	PS



	PART NUMBER REEL PACKAGING	NUMBER OF POSITIONS	"A"	"B" MAX.
OBSOLETE	-0-100411-4-	4	3,81	7,1
OBSOLETE	-0-100411-6-	6	6,35	9,7
	0-100411-8	8	8,89	12,2
OBSOLETE	-1-100411-0-	10	11,43	14,7
OBSOLETE	-1-100411-2-	12	13,97	17,3
OBSOLETE	-1-100411-4-	14	16,51	19,8
OBSOLETE	-1-100411-6-	16	19,05	22,4
OBSOLETE	-1-100411-8-	18	21,59	24,9
	2-100411-0	20	24,13	27,4



DESCRIPTION	MATERIAL	ITEM
FEMALE CONTACT	PHOSPHOR BRONZE	2
HOUSING	GLASS FILLED POLYESTER (RED)	1

NOTES:

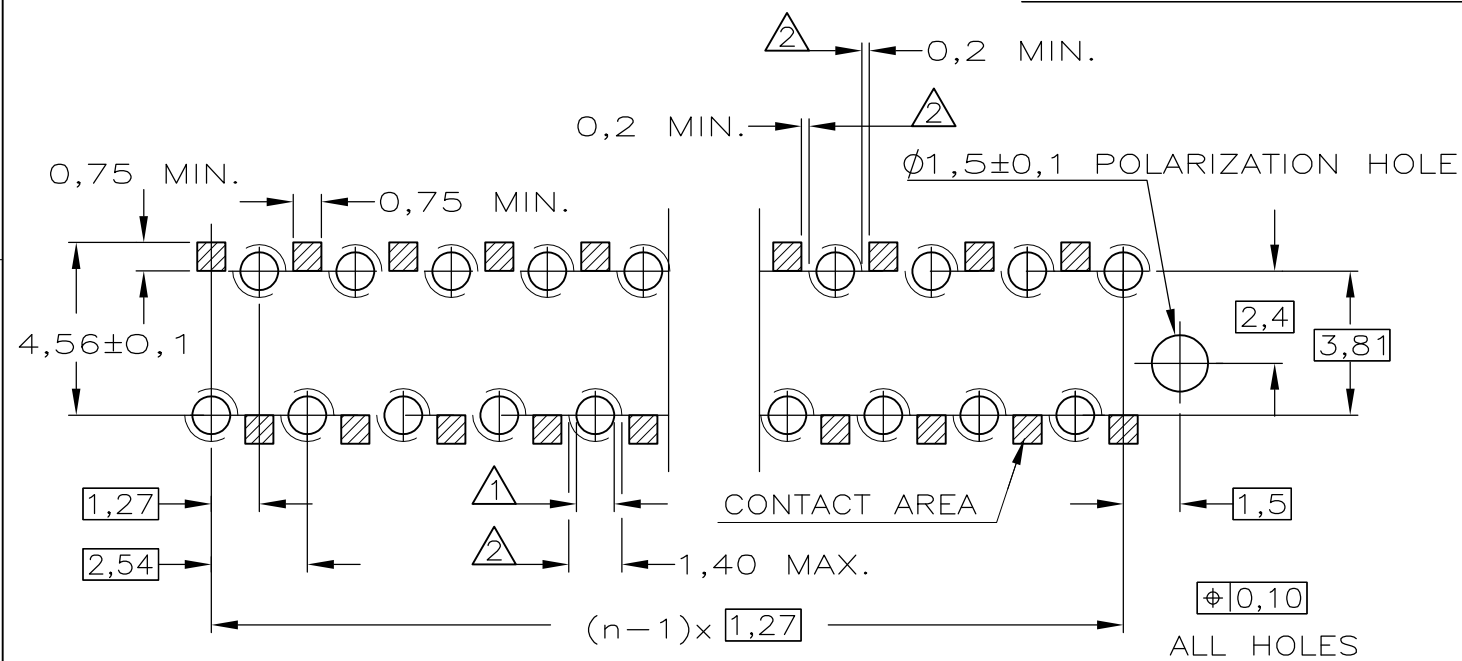
- HEIGHT OF CONNECTOR ABOVE P.C. BOARD SURFACE
AFTER INSERTION: 5,20±0,05
- FOR PC BOARD LAY-OUT SEE SHEET 2
- FINISH: TIN OVER NICKEL PLATING.

THIS DRAWING IS A CONTROLLED DOCUMENT.		DWN 11-07-91 P V TONGEREN	STE TE Connectivity	
		CHK 11-07-91 H KOKKEN		
DIMENSIONS: mm		PRODUCT SPEC 108-19052		NAME Micro MatCh FEMALE S.M.C. CONNECTOR
TOLERANCES UNLESS OTHERWISE SPECIFIED:		APPLICATION SPEC 114-19027		
MATERIAL SEE TABLE		WEIGHT -		SIZE A3
FINISH 3		CUSTOMER DRAWING		CAGE CODE 00779
		SCALE 1:1		DRAWING NO C-100411
		SHEET 1 OF 3		RESTRICTED TO -
		REV G1		

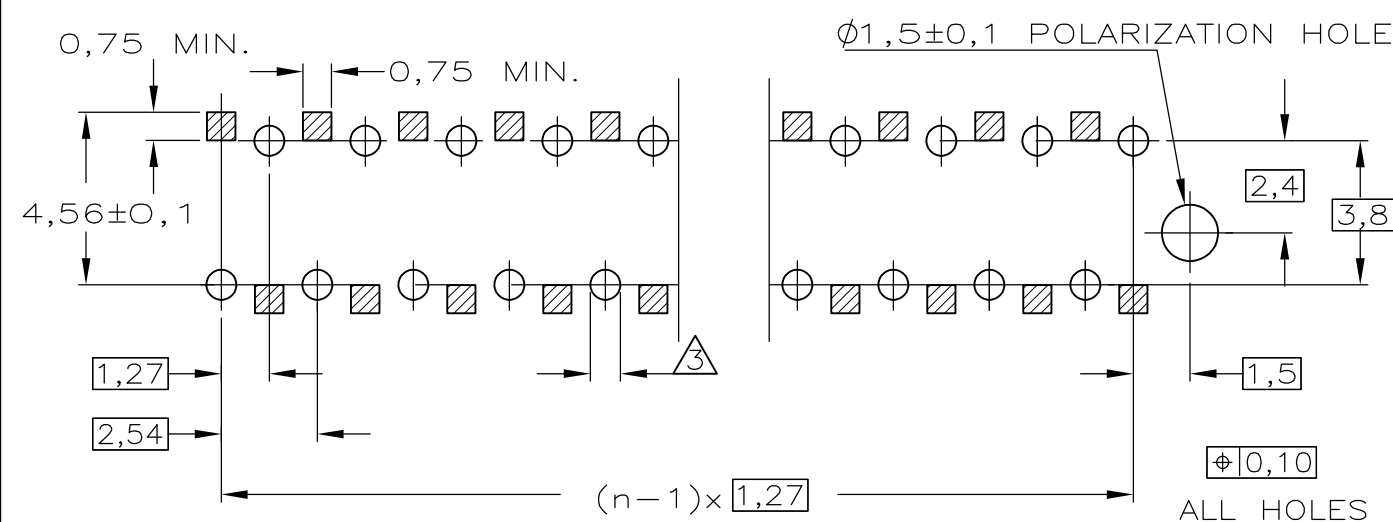
THIS DRAWING IS UNPUBLISHED. RELEASED FOR PUBLICATION
 © COPYRIGHT - By - ALL RIGHTS RESERVED.

LOC	DIST	REVISIONS			
P	LTR	DESCRIPTION	DATE	DWN	APVD
-	-	SEE SHEET 1	-	-	-

RECOMMENDED PC BOARD LAY-OUT (SOLDERSIDE SHOWN)



EPOXY PC BOARDS WITH PLATED OR UNPLATED DRILLED HOLES



PAPER PHENOLIC PC BOARDS WITH PUNCHED HOLES

1 EPOXY PC BOARD WITH UNPLATED DRILLED HOLES 1,00±0,05mm.
 FOR PLATED HOLES: SEE TABLE 1

2 EPOXY PC BOARDS WITH PLATED DRILLED HOLES, SOLDER EYE
 1,40 MAX. TO ACHIEVE A CREEPAGE DISTANCE BETWEEN SOLDER
 EYE AND CONTACT AREA CONNECTOR OF MIN. 0,20mm.

3 HOLE DIAMETER 0,80^{+0,15}₋₀

TABLE 1

P.C.B. HOLE DIM. PLATED	
FIN. HOLE	0,95 TO 1,05 mm
Cu-thks	0,025 TO 0,050 mm
Sn-thks	0,004 TO 0,010 mm

THIS DRAWING IS A CONTROLLED DOCUMENT.		DWN P V TONGEREN 11-07-91	TE Connectivity		
DIMENSIONS: mm		CHK H KOKKEN 11-07-91			
TOLERANCES UNLESS OTHERWISE SPECIFIED:		APVD -	Micro MatCh FEMALE S.M.C. CONNECTOR		
0 PLC ± - 1 PLC ± - 2 PLC ± - 3 PLC ± - 4 PLC ± - ANGLES ± -		PRODUCT SPEC 108-19052	RESTRICTED TO		
MATERIAL -		APPLICATION SPEC 114-19027	SIZE A3	CAGE CODE 00779	DRAWING NO C-100411
FINISH -		WEIGHT -	SCALE 1:1		SHEET 2 OF 3
		CUSTOMER DRAWING	REV G1		

THIS DRAWING IS UNPUBLISHED.

RELEASED FOR PUBLICATION

-. - .

LOC -

DIST -

REVISIONS

© COPYRIGHT - By -

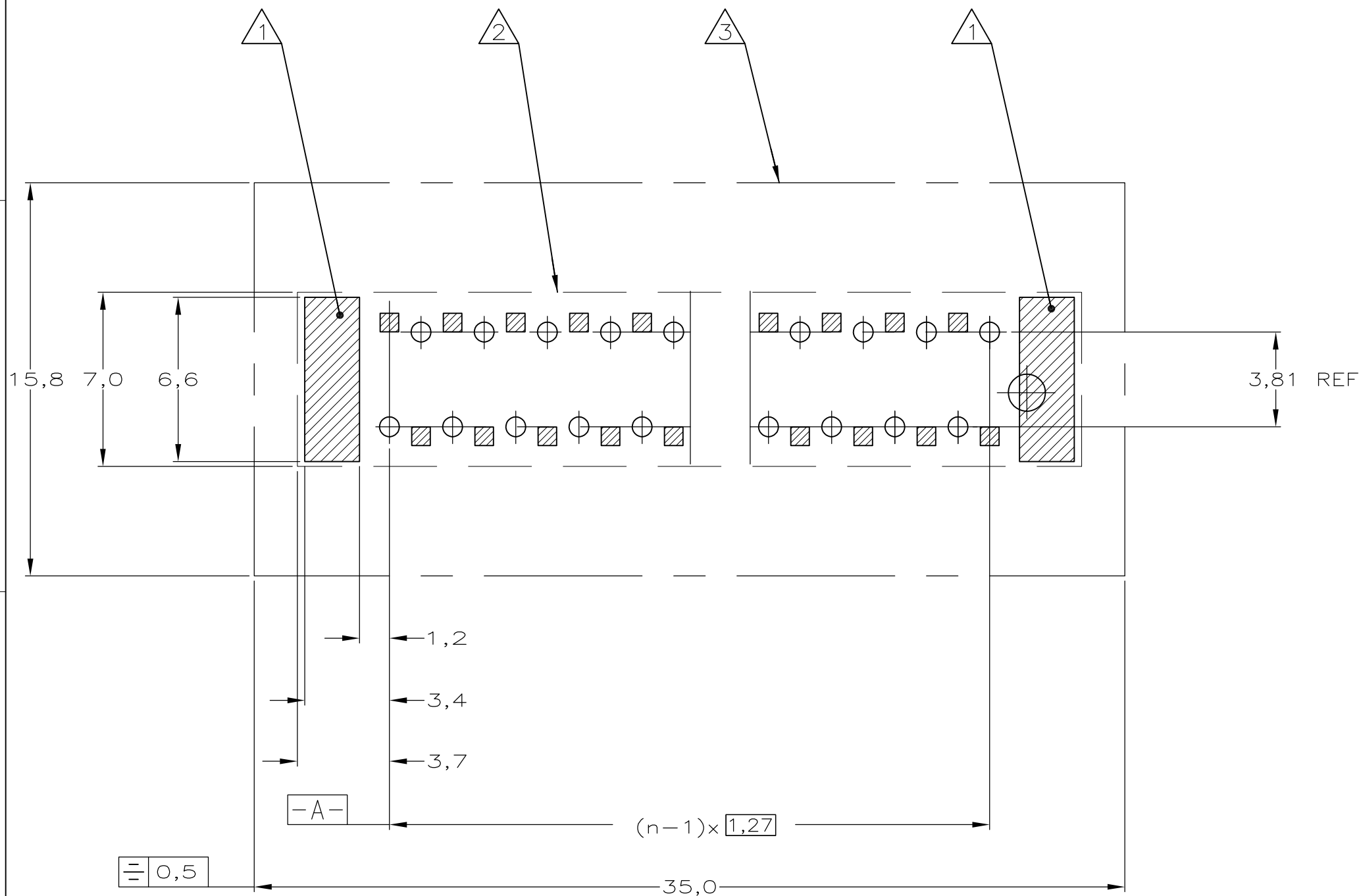
ALL RIGHTS RESERVED.


P	LTR	DESCRIPTION	DATE	DWN	APVD
-	-	SEE SHEET 1	-	-	-

P.C.B. LAYOUT RECOMENDATIONS TOOLING AREAS

NOTES:

- ① SHADED AREAS FREE OF (TINNED) COPPER TRACKS ON P.C.B.
- ② AREAS WITHIN THE DOTTED LINE FREE OF P.C.B. COMPONENTS, TOP AND BACK SIDE OF THE P.C.B.
- ③ AREA WITHIN THIS LINE FREE OF COMPONENTS HIGHER THAN 14 mm



THIS DRAWING IS A CONTROLLED DOCUMENT.		DWN H.vd STEEN 12.05.92	 TE Connectivity														
DIMENSIONS: mm		CHK H vd STEEN 12.05.92															
TOLERANCES UNLESS OTHERWISE SPECIFIED:		APVD -	NAME														
<table border="0"> <tr><td>0 PLC</td><td>± -</td></tr> <tr><td>1 PLC</td><td>± 0.1</td></tr> <tr><td>2 PLC</td><td>± -</td></tr> <tr><td>3 PLC</td><td>± -</td></tr> <tr><td>4 PLC</td><td>± -</td></tr> <tr><td>ANGLES</td><td>± -</td></tr> </table>		0 PLC	± -	1 PLC	± 0.1	2 PLC	± -	3 PLC	± -	4 PLC	± -	ANGLES	± -	PRODUCT SPEC 108-19052	TOOLING AREAS		
0 PLC	± -																
1 PLC	± 0.1																
2 PLC	± -																
3 PLC	± -																
4 PLC	± -																
ANGLES	± -																
MATERIAL -		FINISH -	APPLICATION SPEC 114-19027	Micro MatCh FEMALE S.M.C. CONNECTOR													
		WEIGHT -	SIZE A3	CAGE CODE 00779	DRAWING NO C-100411												
CUSTOMER DRAWING			RESTRICTED TO -	SCALE 1:1	SHEET 3 OF 3												
			REV G1														

Mouser Electronics

Authorized Distributor

Click to View Pricing, Inventory, Delivery & Lifecycle Information:

[TE Connectivity:](#)

[2-100411-0](#)