

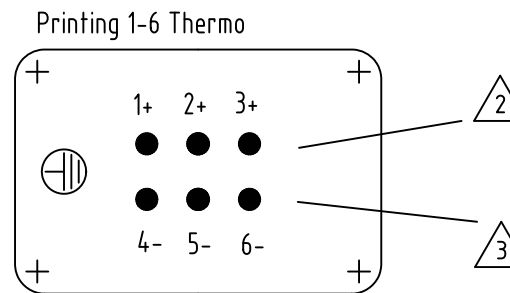
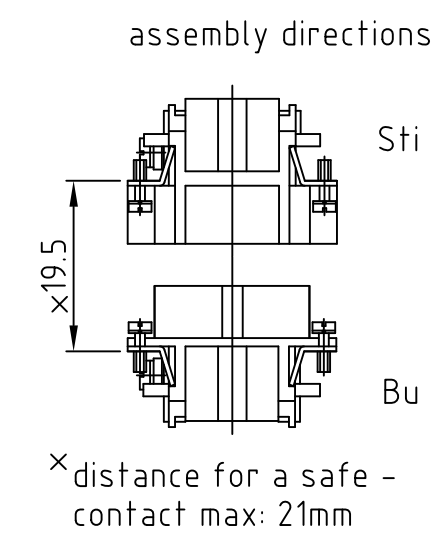
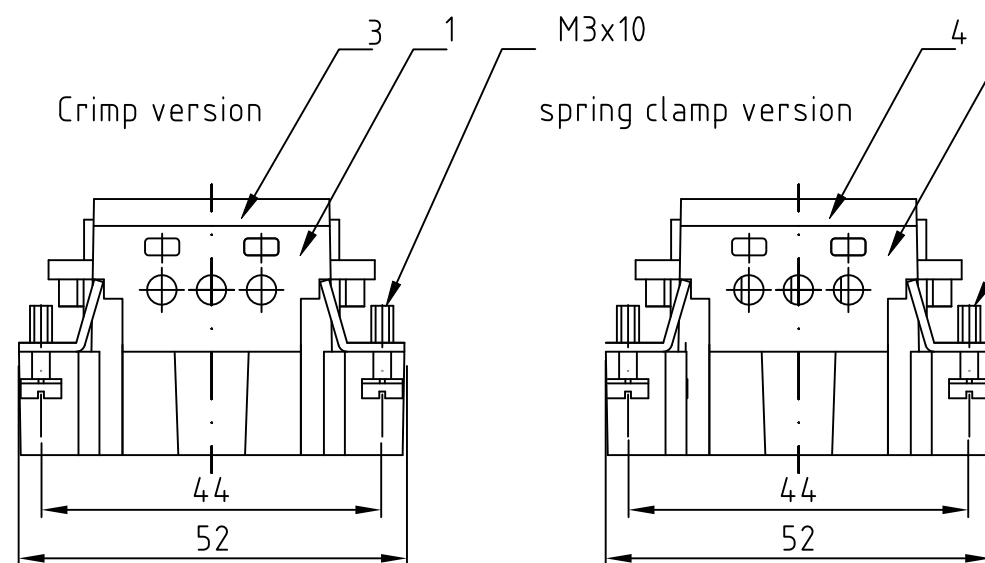
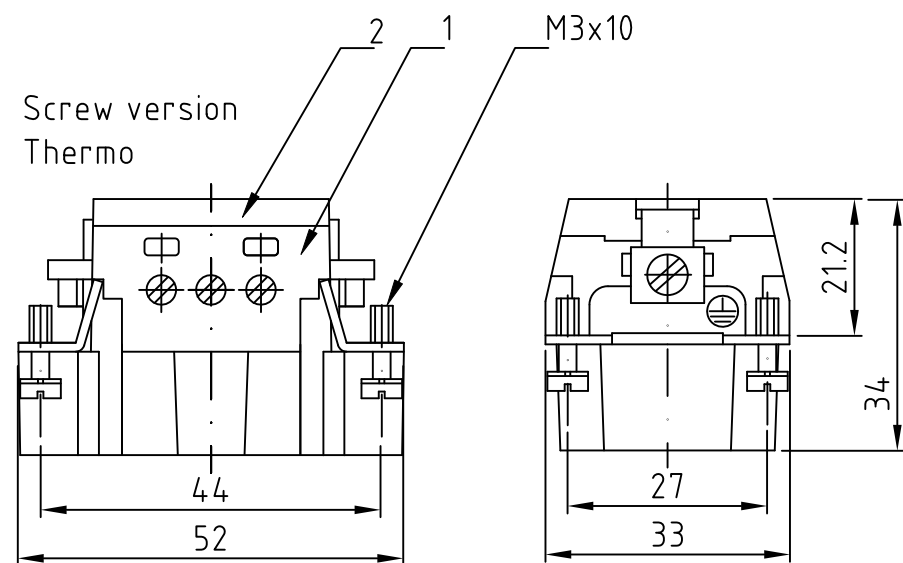
THIS DRAWING IS UNPUBLISHED.
VERTRÄULICHE UNVERÖFFENTLICHTE ZEICHNUNG

RELEASED FOR PUBLICATION
FREI FUER VERÖFFENTLICHUNG
ALL RIGHTS RESERVED.
ALLE RECHTE VORBEHALTEN

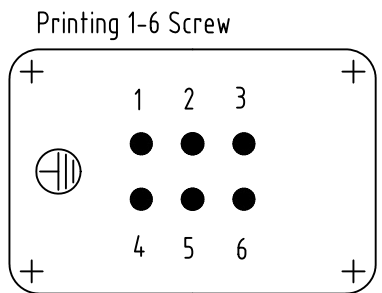
© COPYRIGHT - By -

REVISIONS

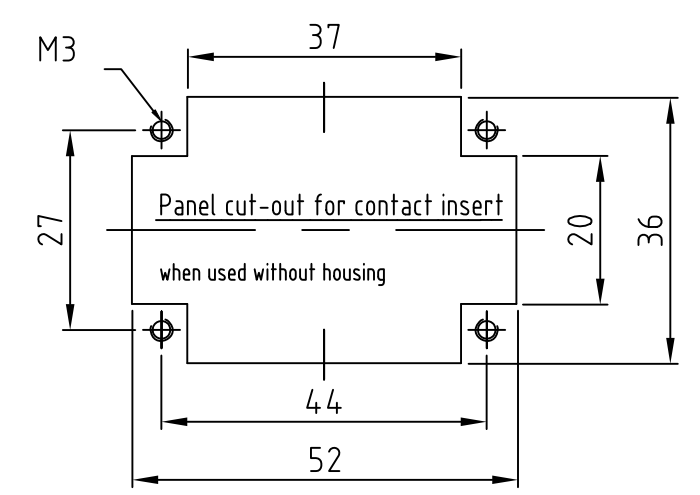
P	LTR	DESCRIPTION BESCHREIBUNG	DATE	DWN	APVD
	A8	ECR-17-009069	09FEB2018	SG	MKO



Contact arrangement
view from termination side



- NOTES:
- 1 SUITABLE CRIMP CONTACTS: SERIES HE/HA
OUTER DIMENSIONS OF INSULATION: MAX. ϕ 3,2 MM
 - SUITABLE HOOD SIZE 5; 7; 9; 11: SERIES HA; HD
SUITABLE INSERTION AND EXTRACTION TOOL:
SCREWDRIVER 0,5x3 DIN 5264
 - Strip length: Screw connection 10mm
Spring clamp connection 10mm Crimp connection 7.5mm
 - STANDARDS:
DIN EN 61984; DIN EN 60664-1
 - PACKAGING:
5 SETS IN A CARTON, PRE-MOUNTED
 - SPECIAL PACKAGING: Krauss-Maffei
PACKAGING UNIT: 150 PIECES



OBSOLETE	OBSOLETE	SUPERSEDED BY T204-0063101-000			OBSOLETE
1	1	1	1	1	1
HE.6.Sti.S.KM	HE.6.Sti.S-AU	HE.6.Sti.S-C	HE.6.Sti.S-T	HE.6.Sti.S	

DESCRIPTION	MATERIAL	COLOR	ITEM NO. POS.	NOTES
cover spring clamp version		light grey	4	
cover crimp version		light grey	3	
cover screw version		light grey	2	
pin insert		light grey	1	

THIS DRAWING IS A CONTROLLED DOCUMENT.
DIESE ZEICHNUNG IST EIN KONTROLLIERTES DOKUMENT.

DIMENSIONS: MASSENEHTEIN: mm
TOLERANCES UNLESS OTHERWISE SPECIFIED: ALLGEMEINTOLERANZEN

ORDERING TEXT

0 PLC	±	ISO 8015
1 PLC	±	ISO 2768
2 PLC	±	DIN 16901
3 PLC	±	
4 PLC	±	
ANGLES / WINKEL	±	
MATERIAL		FINISH / OBERFLÄCHE / FARBE

APVD: Gräf 16.02.1999
CHK: Schweiger 18.02.1999

NAME: TE Connectivity

Male insert
Stifteinsatz HE.6.STI

SIZE: A3
CAGE CODE: 00779
DRAWING NO. ZEICHNUNGS-NR.: 1103634

RESTRICTED TO NUR FUER

CUSTOMER DRAWING / KUNDENZEICHNUNG
SCALE: MASSSTAB 1:1
SHEET: BLATT 1 OF 1
REV: A8

Mouser Electronics

Authorized Distributor

Click to View Pricing, Inventory, Delivery & Lifecycle Information:

[TE Connectivity:](#)

[2-1103634-3](#)