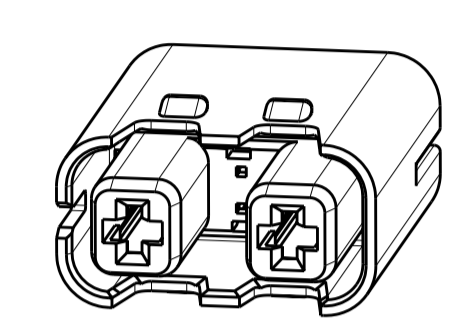
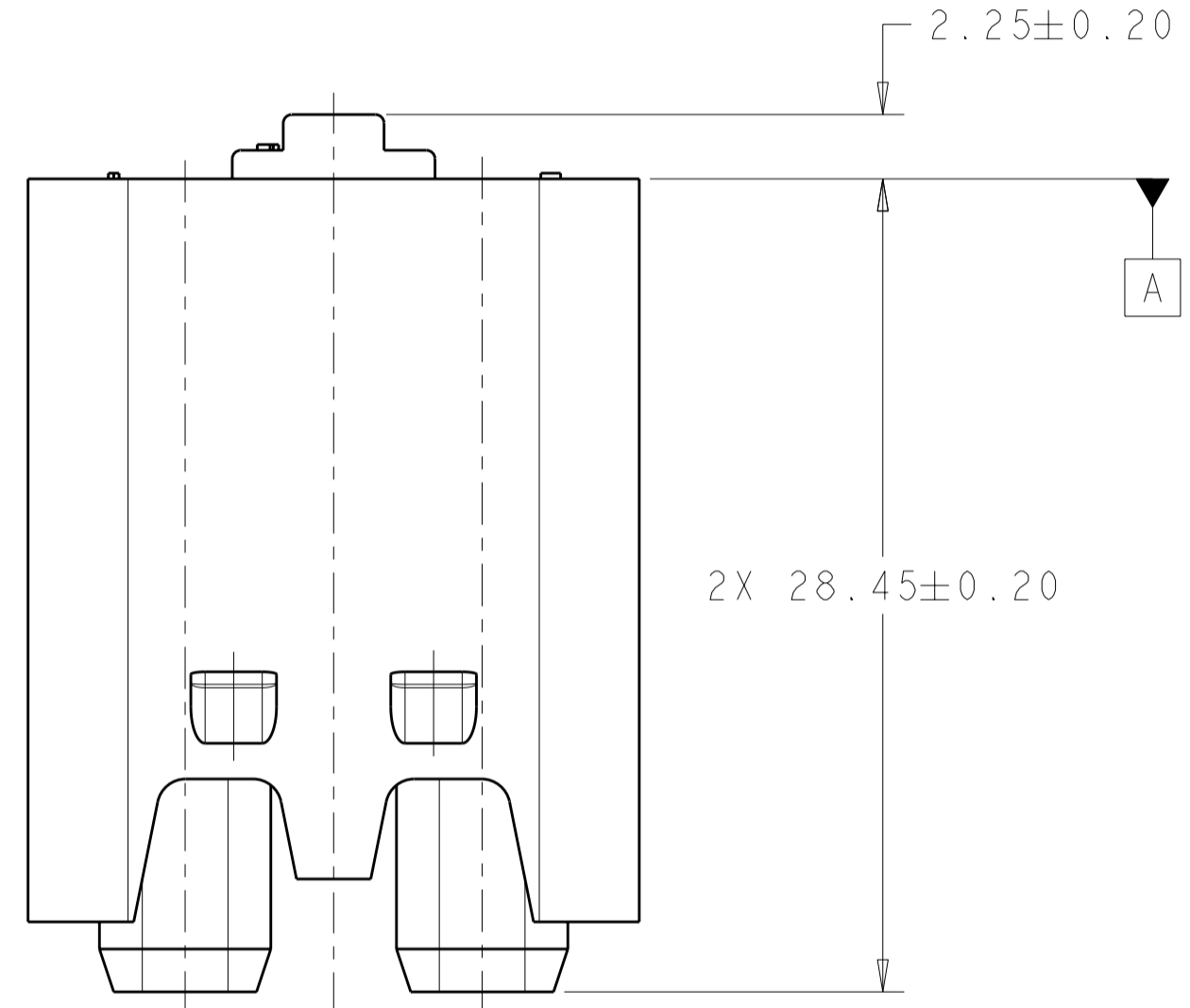
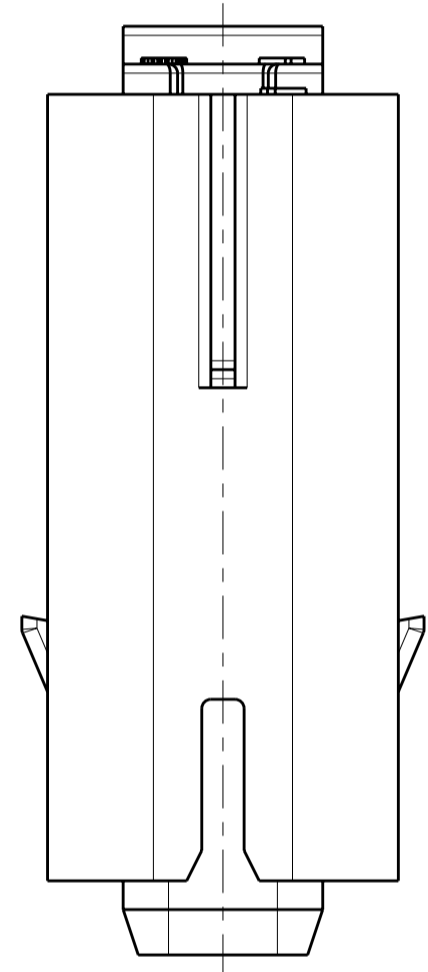
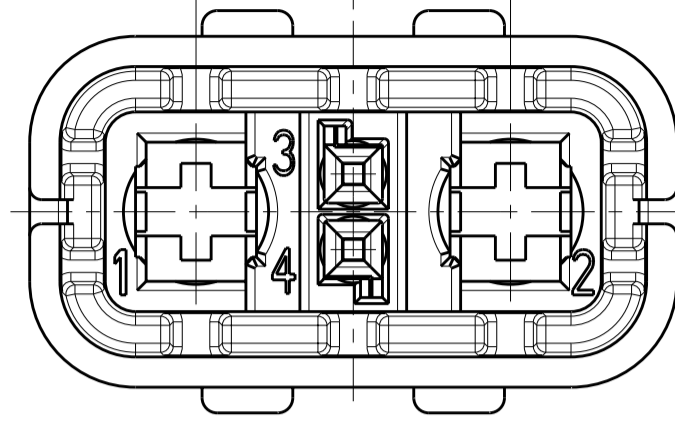


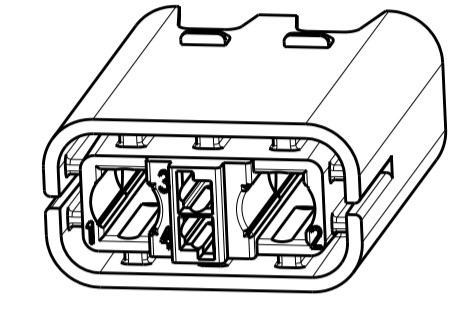
THIS DRAWING IS UNPUBLISHED. RELEASED FOR PUBLICATION 20
 © COPYRIGHT 20 BY TYCO ELECTRONICS CORPORATION ALL RIGHTS RESERVED.

LOC	DIST	REVISIONS			
P	LTR	DESCRIPTION	DATE	DWN	APVD
	A	ECO-11-024207	02DEC2011	DR	DR

(5.20) (5.20)

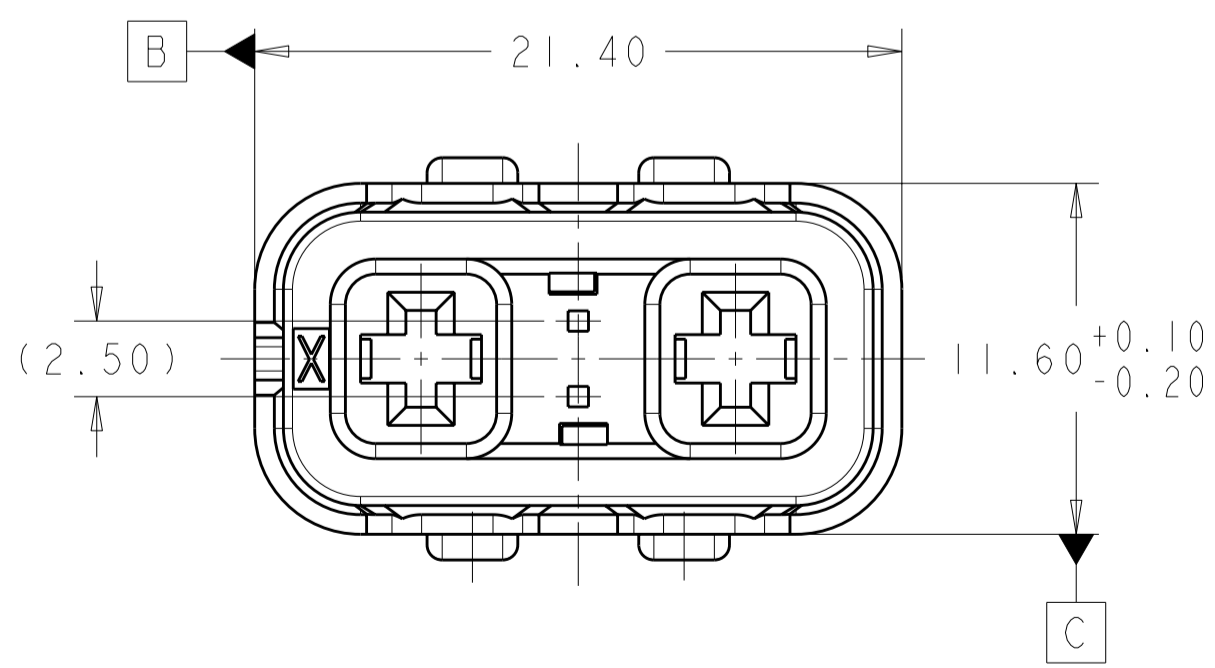


SCALE 2:1



SCALE 2:1

△ MATERIAL:
 TYPE: PA66 33%GF
 COLOR: BLACK



INNER HOUSING, PASS THRU HVIL	1587977-2
DESCRIPTION	PART NO

THIS DRAWING IS A CONTROLLED DOCUMENT.		DWN	D. RHEIN	30MAR2011	 TE Connectivity	NAME INNER HOUSING, PLUG HVA280-2PHM		
DIMENSIONS:		CHK	D. RHEIN	30MAR2011				
mm		APVD	J. BOLEWITZ	30MAR2011				
 TOLERANCES UNLESS OTHERWISE SPECIFIED: 0 PLC ± 1 PLC ±0.2 2 PLC ±0.10 3 PLC ±0.050 4 PLC ± ANGLES ±° FINISH		PRODUCT SPEC						
MATERIAL	△	APPLICATION SPEC			SIZE	CAGE CODE	DRAWING NO	RESTRICTED TO
		WEIGHT	4.18g		A200779	C-1587977		
		CUSTOMER DRAWING			SCALE	4:1	SHEET	OF
								REV A

Mouser Electronics

Authorized Distributor

Click to View Pricing, Inventory, Delivery & Lifecycle Information:

[TE Connectivity:](#)

[1587977-2](#)