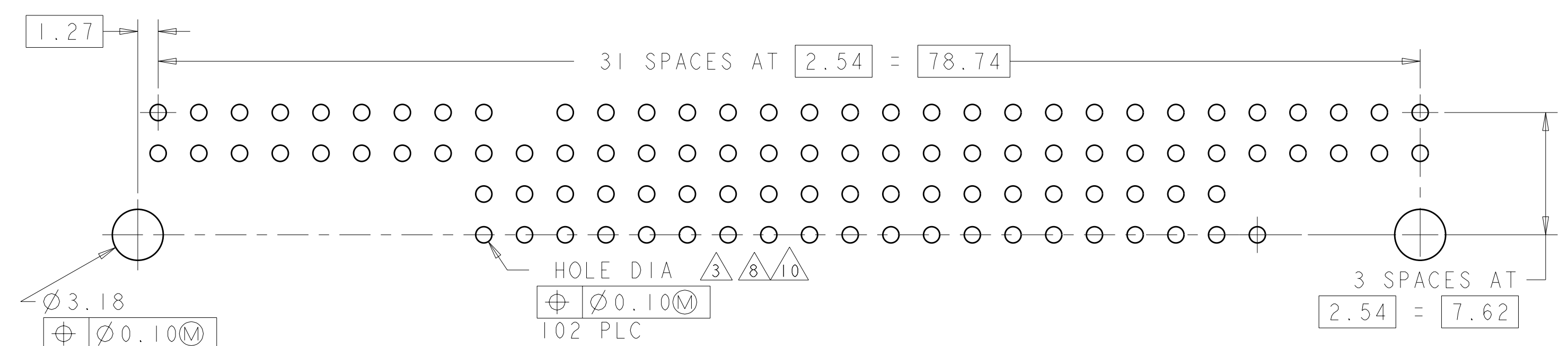
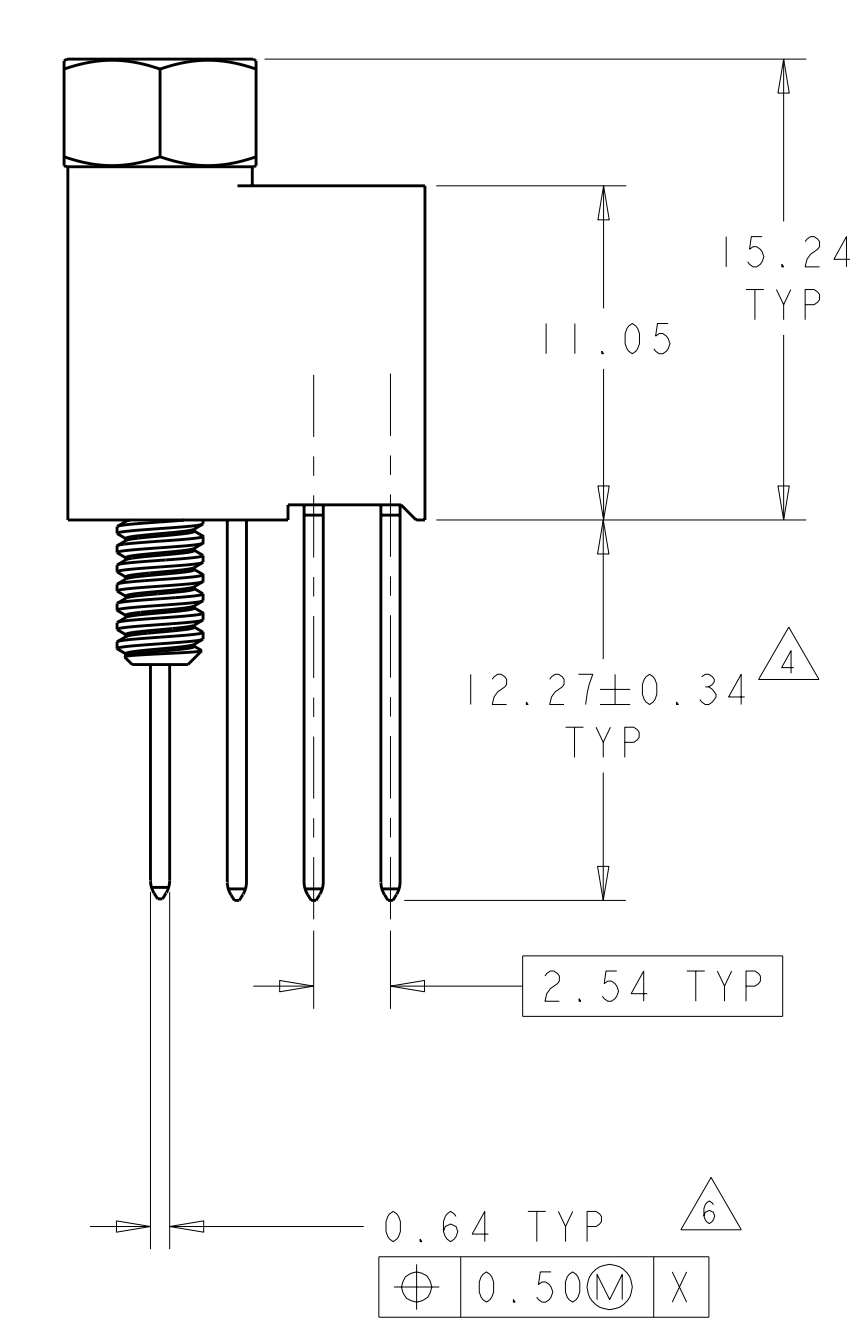
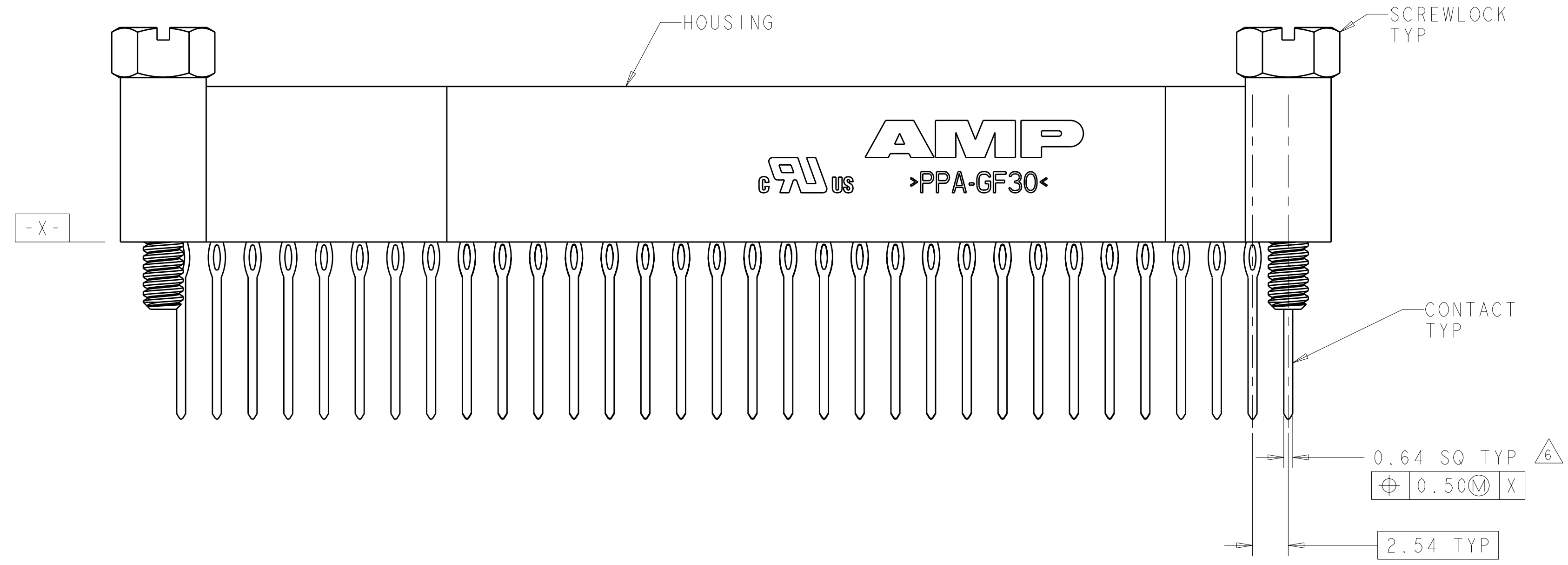
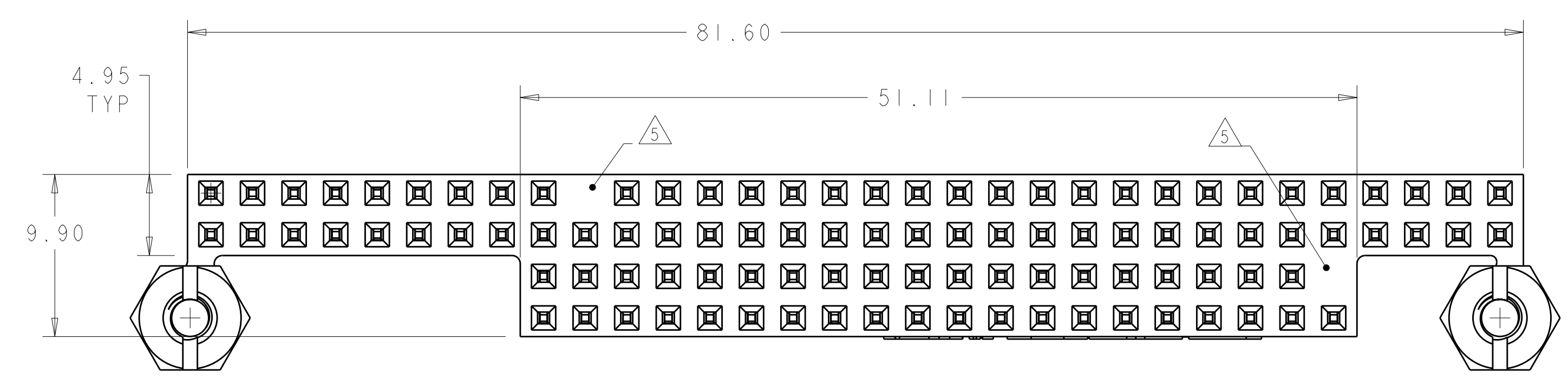
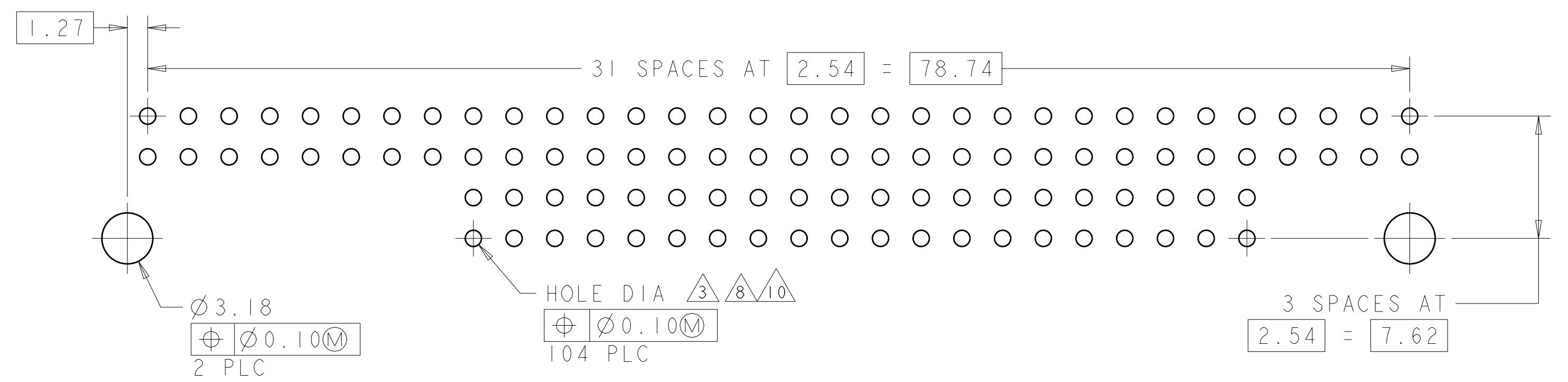


LOC	DIST	REV	DATE	BY	CHKD	APVD
AD	00	F1	24MAR2011	RK	HMR	



RECOMMENDED PCB LAYOUT FOR 1375793-1 & -3



RECOMMENDED PCB LAYOUT FOR 1375793-2 & -4

- △ HOUSING: HIGH TEMPERATURE, GLASS FILLED NYLON, COLOR: BLACK. CONTACTS: PHOSPHOR BRONZE. SCREWLOCKS: STEEL.
- △ CONTACTS: 0.00038 MIN GOLD ON MATING RECEPTACLE END, 0.00013 MIN GOLD ON REMAINDER, ALL OVER 0.00127 NICKEL. SCREWLOCKS: CLEAR CHROMATE OVER ZINC.
- △ PCB HOLE RECOMMENDATIONS: A. DRILL HOLE DIAMETER TO BE 1.15±0.02. B. PLATING TO BE 0.005 MIN TIN-LEAD OVER 0.025-0.075 COPPER. C. RECOMMENDED FINISH HOLE SIZE IS 1.03±0.08
- △ DIMENSION AFTER SEATING TO PCB.
- △ NO CONTACT IN THIS POSITION, FOR PART NUMBER 1375793-1 & -3, ONLY
- △ POSITION TOLERANCE APPLIES AFTER CONNECTOR IS PRESSED ONTO PC BOARD.
- △ CONTACTS: 0.00038 MIN GOLD ON MATING RECEPTACLE END, 0.00254-0.00508 MATTE TIN ON REMAINDER, ALL OVER 0.00127 NICKEL. SCREWLOCKS: CLEAR CHROMATE OVER ZINC.
- △ PCB HOLE RECOMMENDATIONS FOR SILVER IMMERSION PLATING: A. DRILL HOLE DIAMETER TO BE 1.20±0.02. B. PLATING TO BE 0.0001524-0.0004064 SILVER OVER 0.0508±0.0254 COPPER. C. RECOMMENDED FINISH HOLE SIZE IS 1.10-1.19.
- △ TO BE USED ON SILVER IMMERSION PLATED PCB'S (NOTE 8).
- △ PCB HOLE RECOMMENDATIONS FOR ENIG PLATING: A. DRILL HOLE DIAMETER TO BE 1.20±0.02. B. PLATING TO BE 0.000051-0.000127 GOLD OVER 0.00305-0.00610 NICKEL ALL OVER 0.0508±0.0254 COPPER. C. RECOMMENDED FINISH HOLE SIZE IS 1.10-1.19.
- △ TO BE USED ON STANDARD PCB (NOTE 3) OR ENIG PLATED PCB (NOTE 10).

FINISH	KEYED CIRCUITS	PART NO
NO	NO	1375793-4
YES	YES	1375793-3
NO	NO	1375793-2
YES	YES	1375793-1

THIS DRAWING IS A CONTROLLED DOCUMENT.

AW G. LENKER 02JUN2000
 CH L. BREKOSKY 15JAN2001
 APVD J. OLSON 13JUN2001

NAME: ASSEMBLY, PC/104, STACKTHROUGH CONTACTS, 2 STANDOFFS, PRESS FIT

PRODUCT SPEC: 108-1956
 APPLICATION SPEC: 114-13021

SIZE: A100779C=1375793
 SCALE: 4:1

DATE: 24MAR2011
 BY: RK
 CHKD: HMR
 APVD:

Mouser Electronics

Authorized Distributor

Click to View Pricing, Inventory, Delivery & Lifecycle Information:

[TE Connectivity:](#)

[1375793-1](#)