

**Model 73084, 73085, 73086, 73088**

Terminal Jacks, Male Threads 6-32, 8-32, 10-32, Female Threads 10-32

**Features**

- Adapter provides an easy and quick banana jack connection by replacing the screw in a terminal strip or control panel.
- Allows a standard sheathed or unsheathed banana plug / patch cord to securely connect to a terminal strip.
- Helps to avoid accidental arc-over by eliminating the usage of alligator clips, or test probe “slip offs” during measurement applications.
- Perfect for use with model **73087** jumper test lead sets in *peer-checking system* test sequences.
- For more information, please visit our “**Articles**” section on nuclear applications at [www.pomonaelectronics.com](http://www.pomonaelectronics.com).



**Materials**

Banana Jack: Nickel-plated Brass  
Insulation: Polypropylene

**Specifications**

Voltage: 600 Vrms, Maximum voltage for *hands free use*.  
For *CE compliance*, do not hold in hand when voltages exceed 33 Vrms / 70 Vdc

Current: 20 A

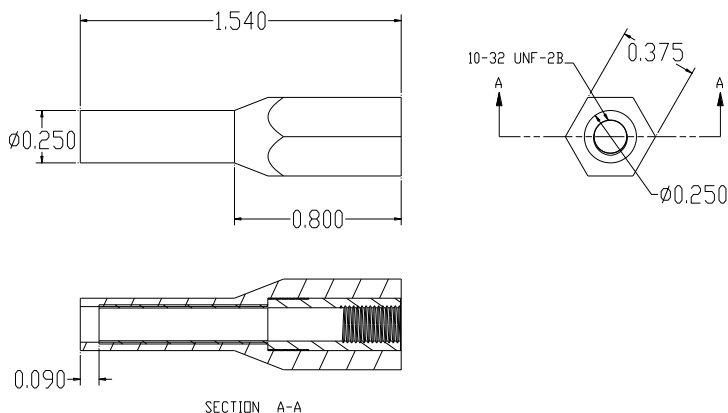
Operating Temperature: -10° C to +80° C (+14° F to 176° F)

Torque In/Lb.:  
**73084:** 7  
**73085:** 20  
**73086:** 20  
**73088:** 16

**Dimensions**



**Model 73086, 10-32 Female Terminal Jack**



**USA:** Sales: 800-490-2361  
 Technical Support: [technicalsupport@pomonatest.com](mailto:technicalsupport@pomonatest.com)  
 Fax: 425-446-5844

**Europe:** 31-(0) 40 2675 150 **International:** 425-446-5500

**Where to Buy:** [www.pomonaelectronics.com](http://www.pomonaelectronics.com)

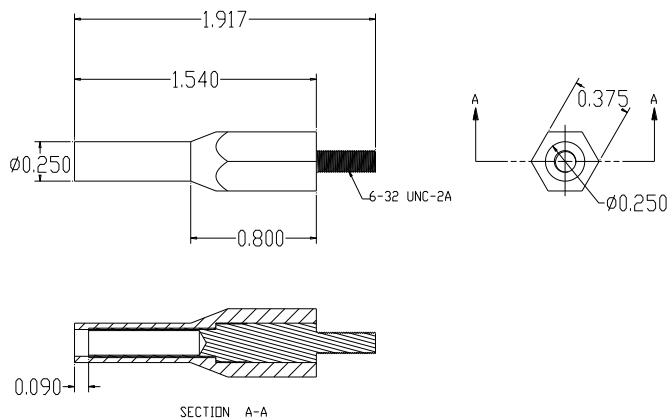
All dimensions are in inches. Tolerances (except noted): .xx = ±.02" (.51 mm), .xxx = ±.005" (.127 mm). All specifications are to the latest revisions. Specifications are subject to change without notice. Registered trademarks are the property of their respective companies.

**Model 73084, 73085, 73086, 73088**

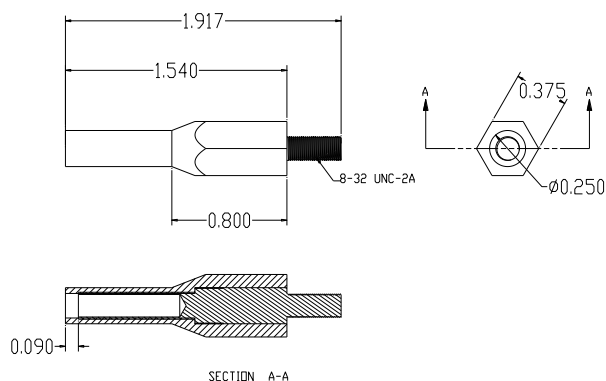
Terminal Jacks, Male Threads 6-32, 8-32, 10-32, Female Threads 10-32



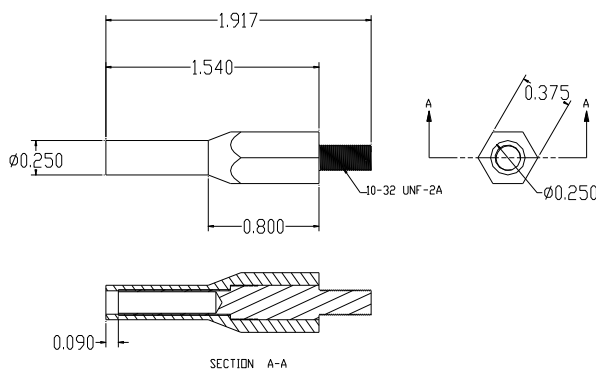
**Model 73084, 6-32 Male Terminal Jack**



**Model 73088, 8-32 Male Terminal Jack**



**Model 73085, 10-32 Male Terminal Jack**



**Ordering Information**

Model: **73084, 73085, 73086, 73088**

Standard Colors: -0 Black, -2 Red, -4 Yellow, -6 Blue

Ordering Example: **73084-2**, (**73084** terminal jack with Red insulation)

**USA:** Sales: 800-490-2361  
 Technical Support: [technicalsupport@pomonatest.com](mailto:technicalsupport@pomonatest.com)  
 Fax: 425-446-5844

**Europe:** 31-(0) 40 2675 150 **International:** 425-446-5500

**Where to Buy:** [www.pomonaelectronics.com](http://www.pomonaelectronics.com)

All dimensions are in inches. Tolerances (except noted): .xx = ±.02" (.51 mm), .xxx = ±.005" (.127 mm). All specifications are to the latest revisions. Specifications are subject to change without notice. Registered trademarks are the property of their respective companies.

# Mouser Electronics

Authorized Distributor

Click to View Pricing, Inventory, Delivery & Lifecycle Information:

Pomona:

[73088-4](#) [73086-4](#) [73088-0](#) [73086-0](#) [73086-6](#) [73086-2](#) [73084-6](#) [73085-4](#) [73084-0](#) [73084-4](#) [73085-0](#) [73088-2](#)  
[73084-2](#) [73085-6](#) [73088-6](#) [73085-2](#)