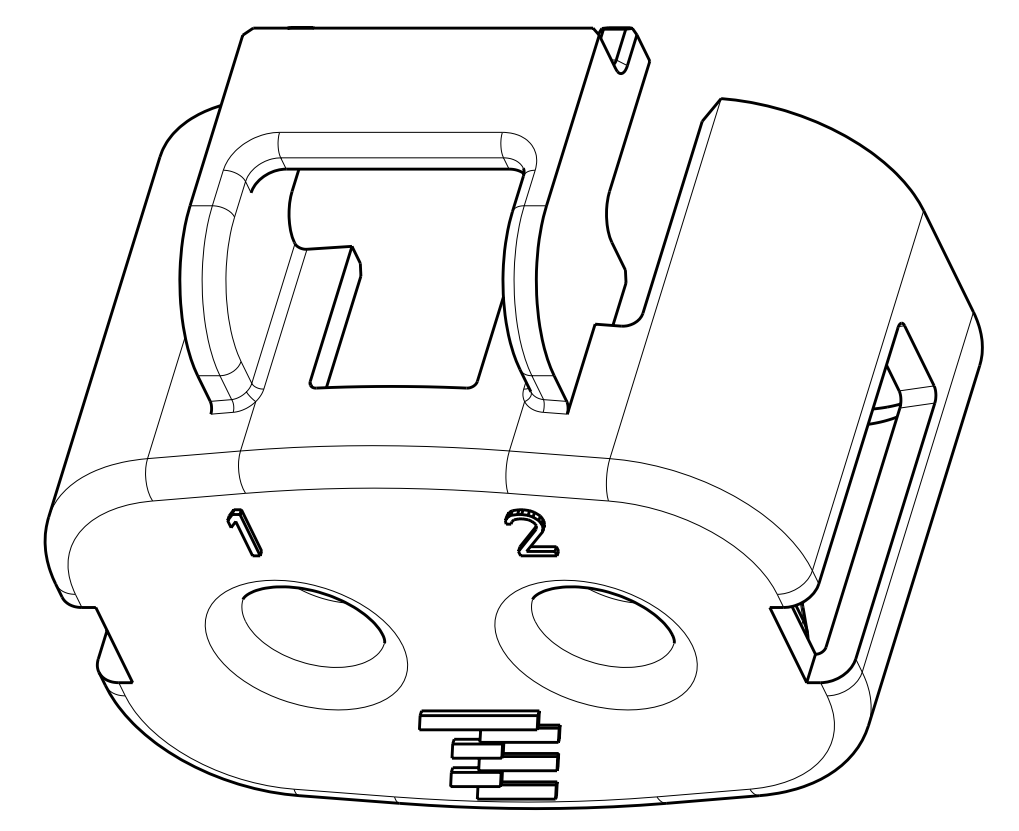
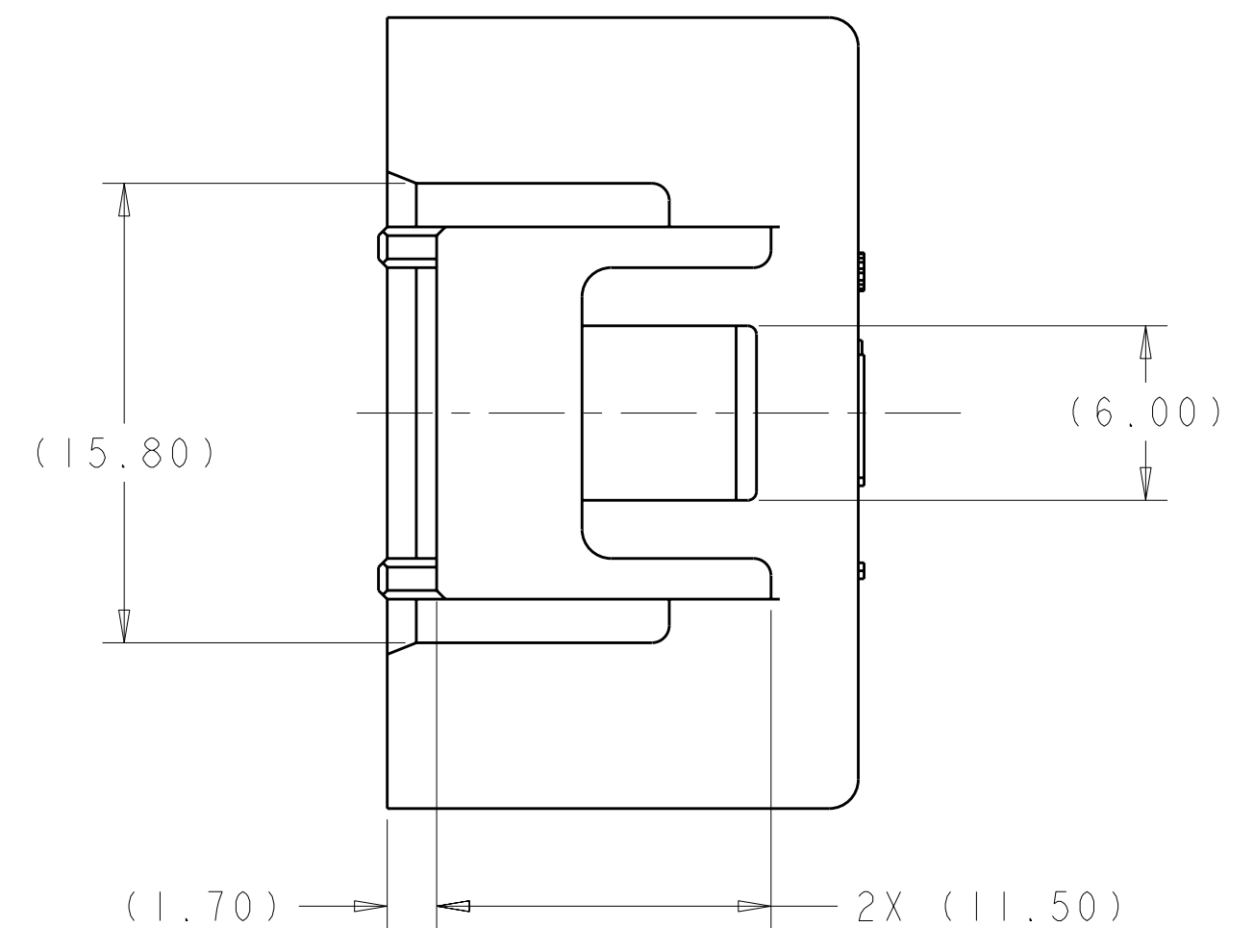
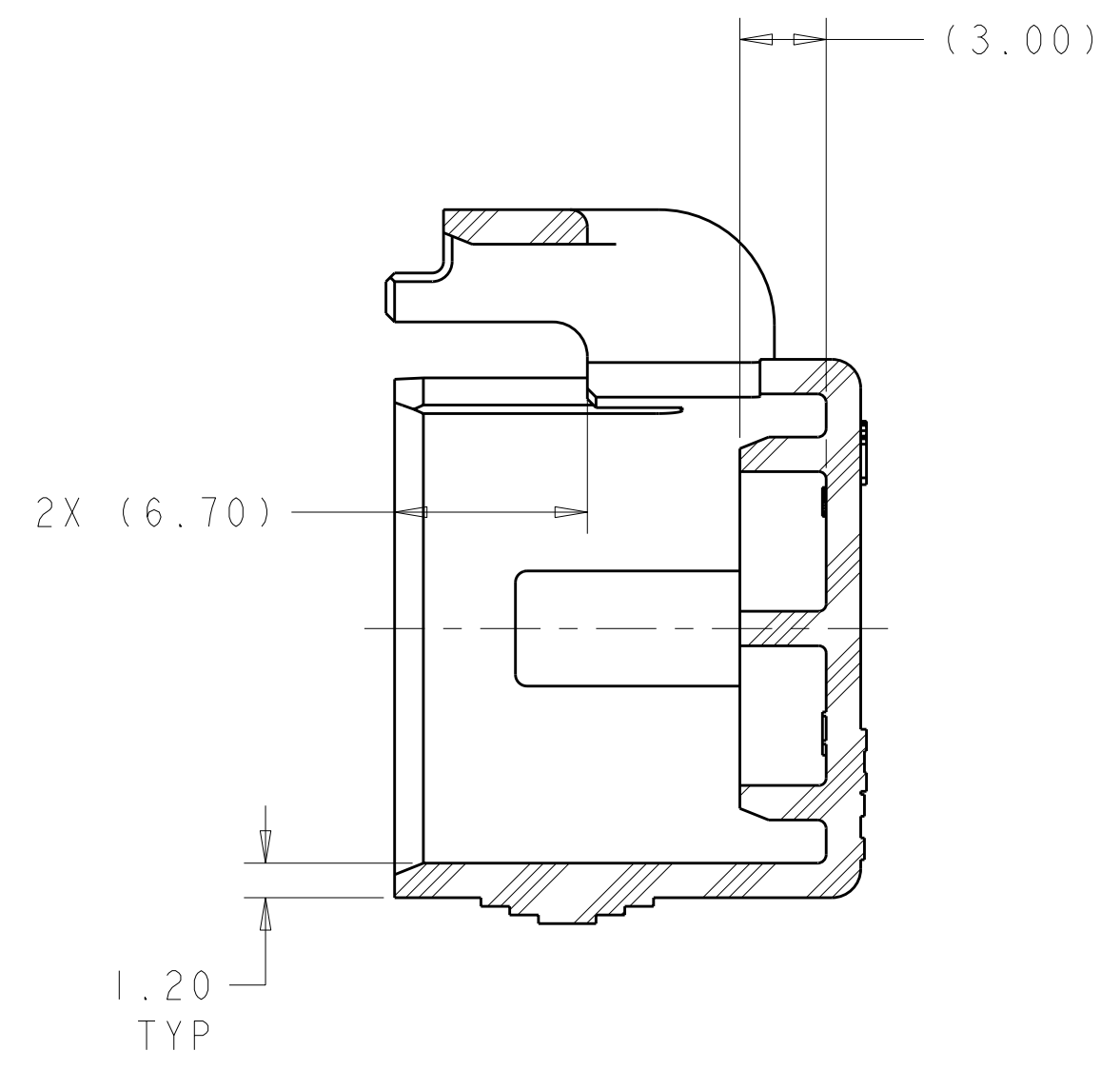
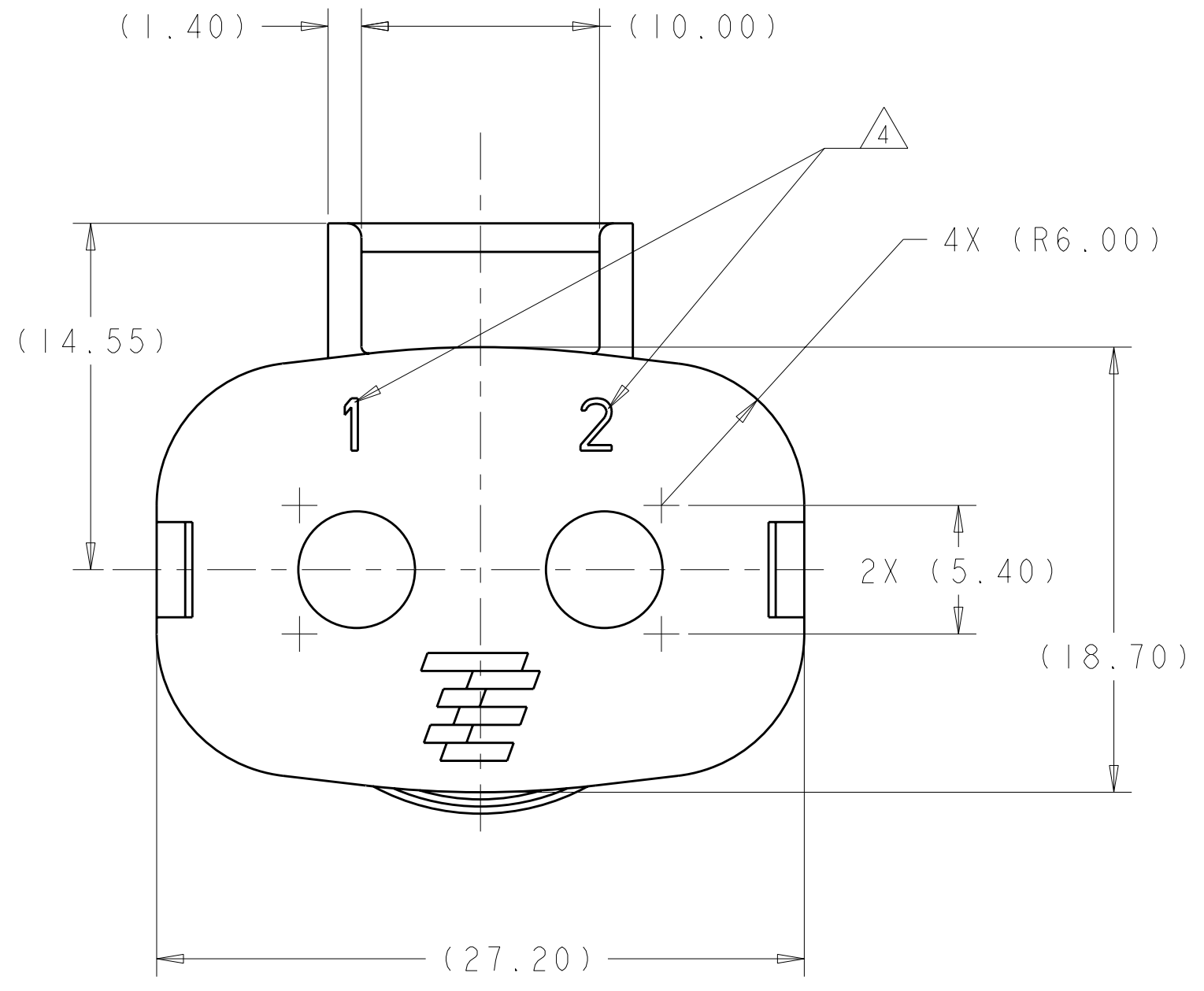
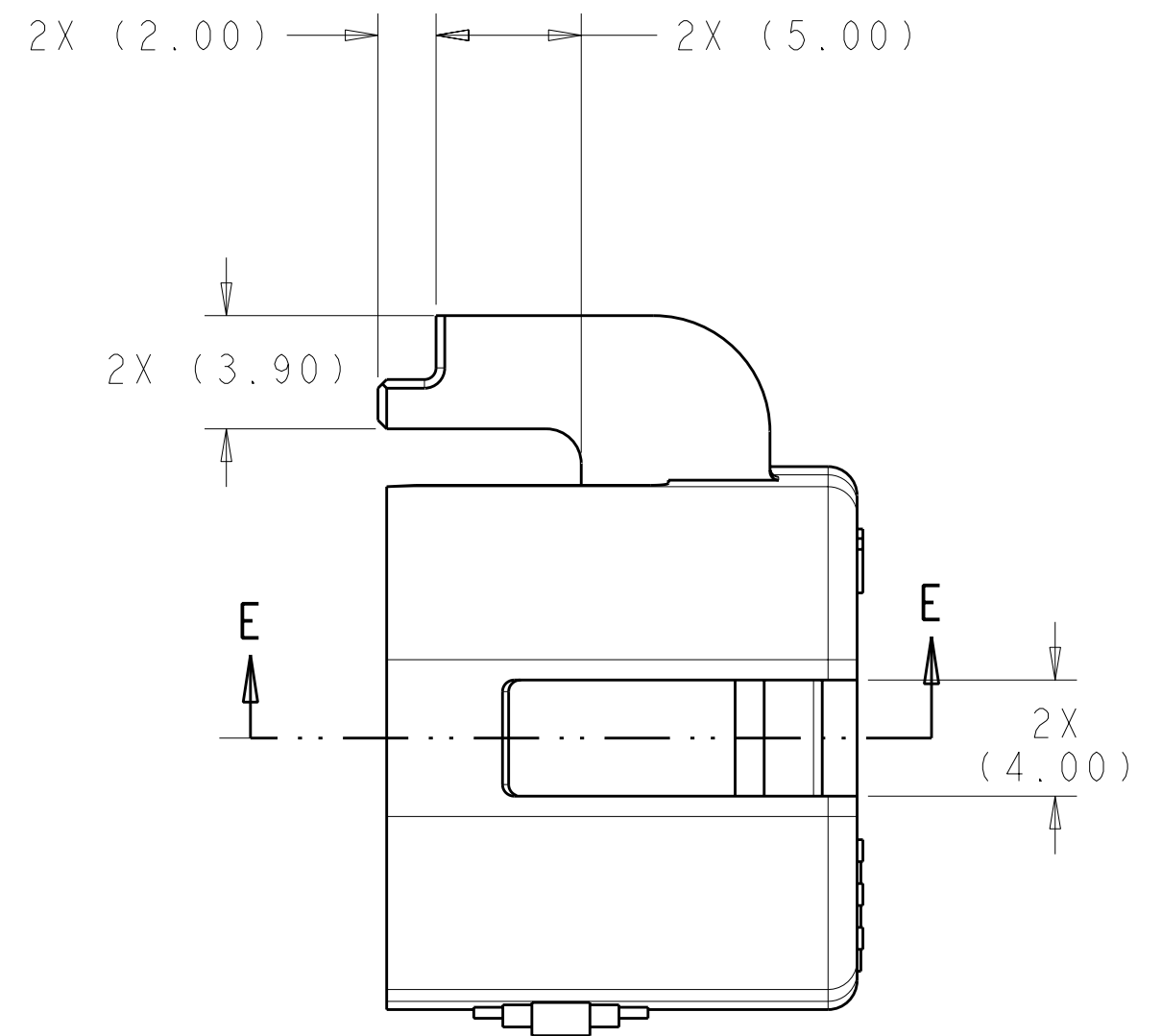
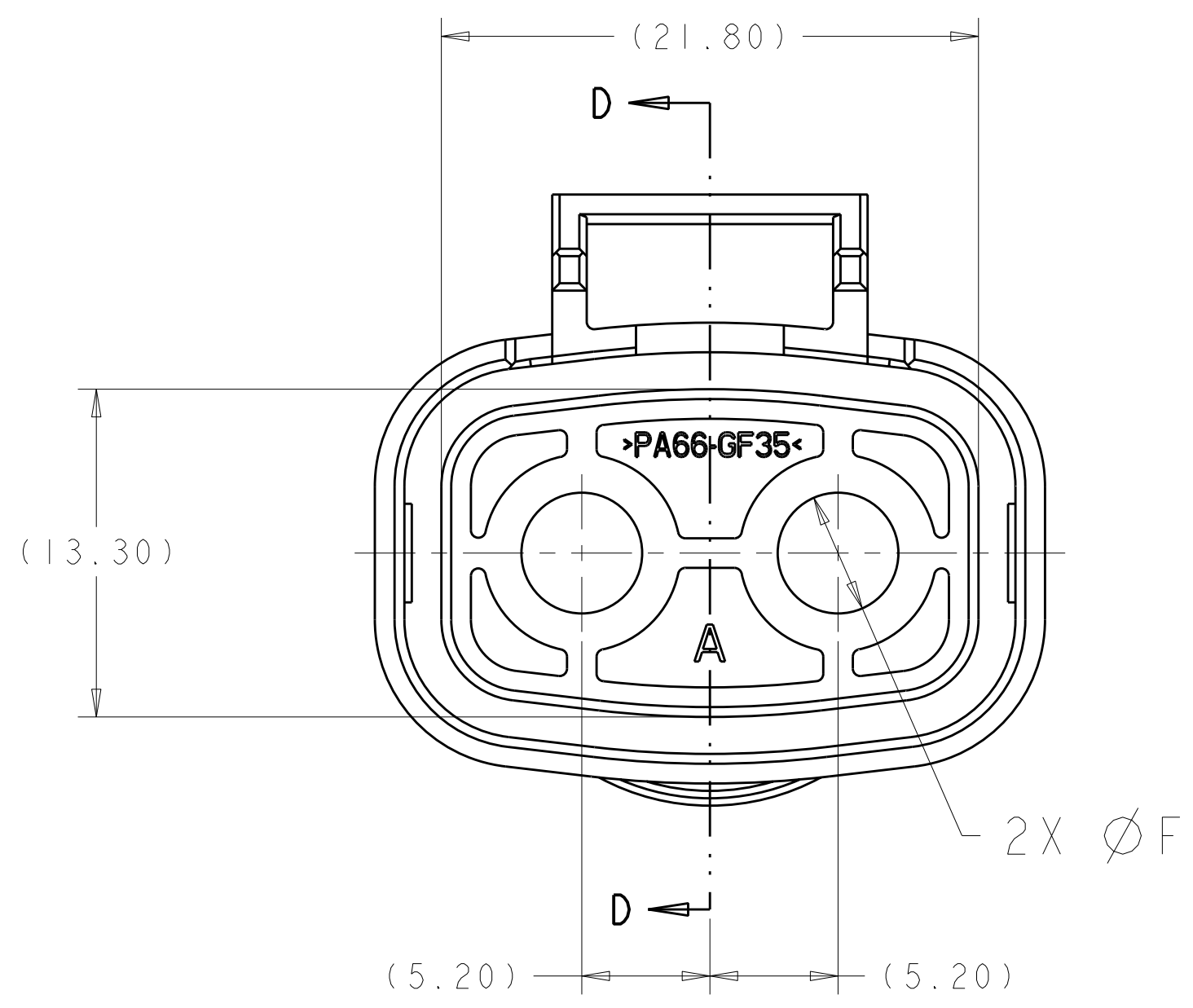


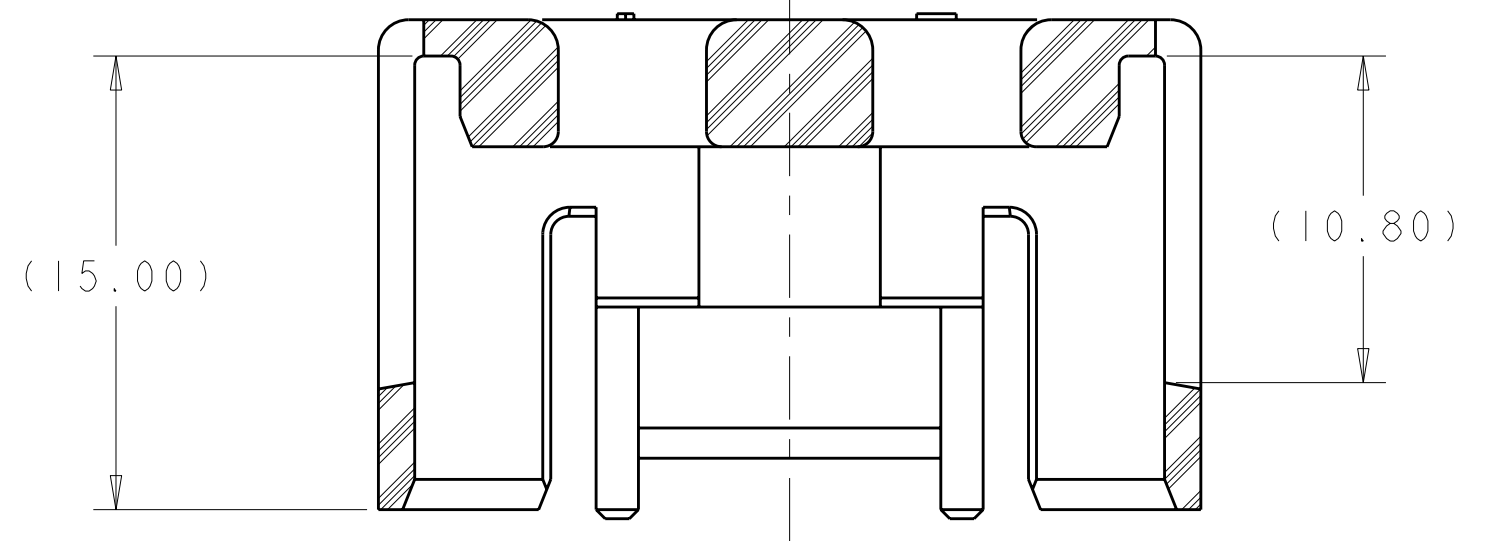
LOC	DIST	REVISIONS			
P	LT#	DESCRIPTION	DATE	DWN	APVD
B1		ECO-11-006038	23MAR2011	DS	AT



SECTION D-D  
REMOVED



- △ MATERIAL :  
TYPE : PA66 35%GF  
COLOR : SEE TABLE
- 2. FEATURES DENOTED BY REFERENCE DIMENSIONS  
MUST BE INSPECTED FOR PRESENCE
- 3. PART MUST BE FREE OF EXCESSIVE FLASH, MIS-MATCH,  
SINK MARKS, OR OTHER VISUAL IMPERFECTIONS THAT  
MAY AFFECT PRODUCT FIT FORM OR FUNCTION
- △ 4 CIRCUIT ID
- △ 5 PRELIMINARY PART—NOT RELEASED FOR PRODUCTION



SECTION E-E  
REMOVED, ROTATED 90° CCW

COLOR	MIN	MAX	F	DESCRIPTION	PART NO
DK GRAY	5.48	6.10	6.20	CABLE SEAL RETAINER, SIZE C	1587827-3
ORANGE	4.76	5.48	5.60	CABLE SEAL RETAINER, SIZE B	1587827-2
BLACK	4.11	4.76	4.90	CABLE SEAL RETAINER, SIZE A	1587827-1

THIS DRAWING IS A CONTROLLED DOCUMENT.		DWN D SIMPSON 05JUN2009	APVD A TYLER 05JUN2009		NAME -		RESTRICTED TO -		
DIMENSIONS: mm		TOLERANCES UNLESS OTHERWISE SPECIFIED:		PRODUCT SPEC 108-2394		APPLICATION SPEC 114-13259		SIZE CAGE CODE DRAWING NO A100779C=1587827	
MATERIAL △		FINISH -		WEIGHT -		CUSTOMER DRAWING		SCALE 4:1 SHEET 1 OF 1 REV B1	

# Mouser Electronics

Authorized Distributor

Click to View Pricing, Inventory, Delivery & Lifecycle Information:

[TE Connectivity:](#)

[1587827-3](#)