

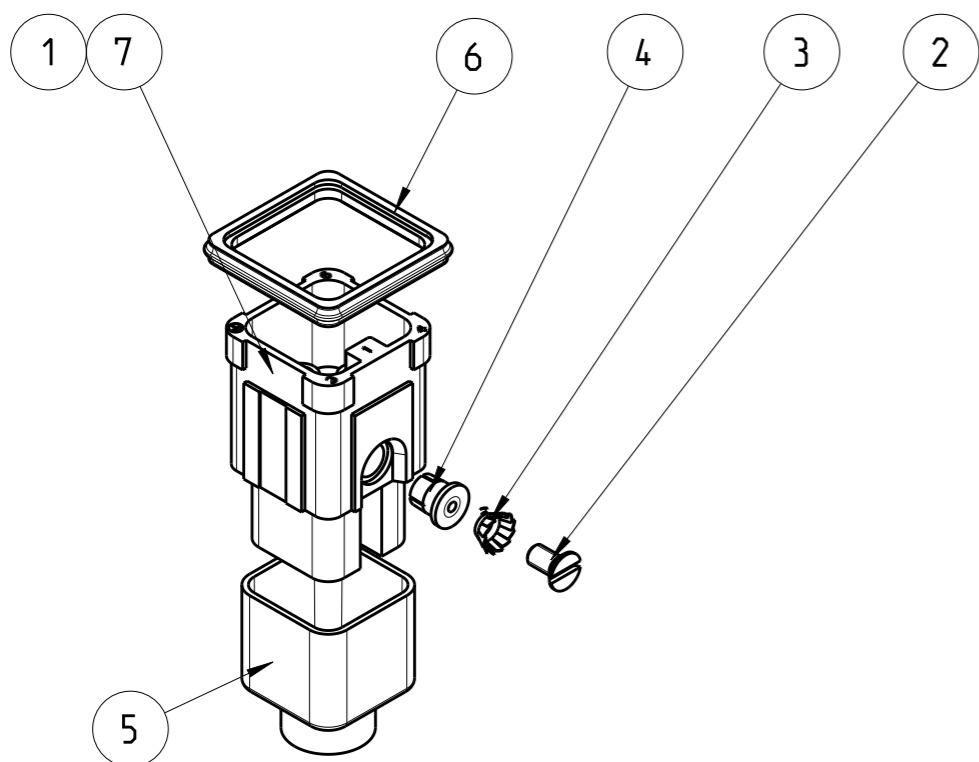
THIS DRAWING IS UNPUBLISHED. RELEASED FOR PUBLICATION 2009

© COPYRIGHT 2009 Tyco Electronics AMP GmbH ALL RIGHTS RESERVED.

LOC	DIST	REVISIONS					
AI	-	P	LTR	DESCRIPTION	DATE	DWN	APVD
			B4	ECR-11-013895	29JUN2011	SR	BR
	B5	ECR-11-017365	19AUG2011	SR	BR		
	B6	ECR-17-001958	23FEB2017	GCM	MKO		
	B7	ECR-17-018172	26DEC2017	GCM	MKO		

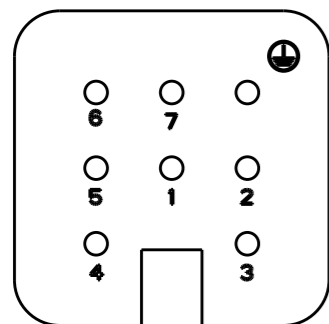
Notes

- 1 SUITABLE CRIMP CONTACTS:
-SERIES TYPE III+; CUSTOMER DRAWING: 164161
-SERIES C12; CUSTOMER DRAWING: 927888
-SERIES HD.M; CUSTOMER DRAWING: 1105000
-WIRE INSULATION: MAX. Ø4.2 MM
-DIMENSIONS: (OVER ALL) 24x24x34mm
- 2 SUITABLE INSERTION TOOL:
CUSTOMER DRAWING: 1102855-1
- 3 SUITABLE EXTRACTION TOOL:
CUSTOMER DRAWING: 1102855-6
- 4 STANDARDS:
DIN EN 61984, DIN EN 60664-1
- 5 AUTHORIZATION; UL: UL-FILE NR.: E101788(R)
- 6 PACKAGING:
PN 2-3 10 SETS IN A CARTON, PRE-MOUNTED
PN 2-4 500 SETS IN A CARTON, PRE-MOUNTED



2-4	2-3	DESCRIPTION	MATERIAL	COLOR	NOTES	ITEM
1	2	INSTRUCTION LEAFLET				8
1		MALE INSERT	PA66-GF25	LIGHT GREY	SERIES HD7, 8-POS. , TYPE III+, SIZE1	7
1	1	PROFILE SEAL	NBR 55	BLACK	SERIES HA/HG-Q, SIZE1	6
	1	INSULATION COVER	NBR 65	BLACK	SERIES HD7	5
1	1	SCREW THREAD INSERT	BRASS		M3x5.5, AFTERMOULD	4
1	1	WASHER, SERRATED LOCK	STAINL. STEEL		V3.4, DIN 6798 JULY 1988	3
1	1	SCREW, SLOTTED COUNTERSUNK FLAT HEAD	STAINL. STEEL		M3x6 DIN EN ISO 2009	2
	1	MALE INSERT	PC-GF20	LIGHT GREY	SERIES HD7, 8-POS. , TYPE III+, SIZE1	1
		HD.7.STI.C/250V				
		HD.7.STI.C.La.250V				

CONTACT ARRANGEMENT VIEW FROM TERMINATION SIDE



THIS DRAWING IS A CONTROLLED DOCUMENT.		DWN 09APR2002 SCHNEIDER	STE TE Connectivity		
DIMENSIONS: mm		CHK 09APR2002 SCHWEIGER			
TOLERANCES UNLESS OTHERWISE SPECIFIED: 0 PLC 1 PLC 2 PLC 3 PLC 4 PLC ANGLES		APVD 09APR2002 T.SCHNURPFEL	NAME MALE INSERT ASSY SERIES HD.7		
MATERIAL -		PRODUCT SPEC 108-74002	SIZE A3	CAGE CODE 00779	DRAWING NO C-1103000
FINISH -		APPLICATION SPEC -	RESTRICTED TO -		
		WEIGHT -	SCALE 1:1		
		CUSTOMER DRAWING	SHEET 1 OF 1		
			REV B7		

Mouser Electronics

Authorized Distributor

Click to View Pricing, Inventory, Delivery & Lifecycle Information:

[TE Connectivity:](#)

[2-1103000-3](#)