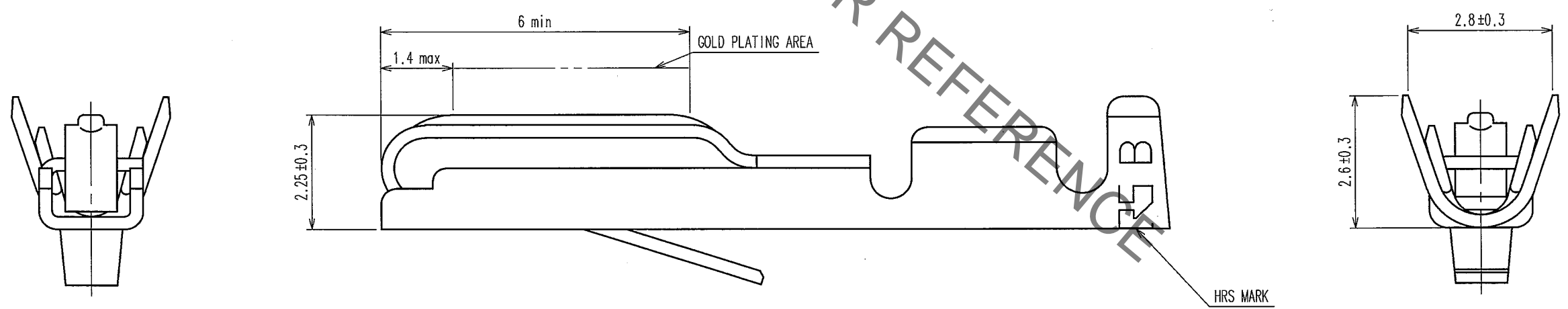
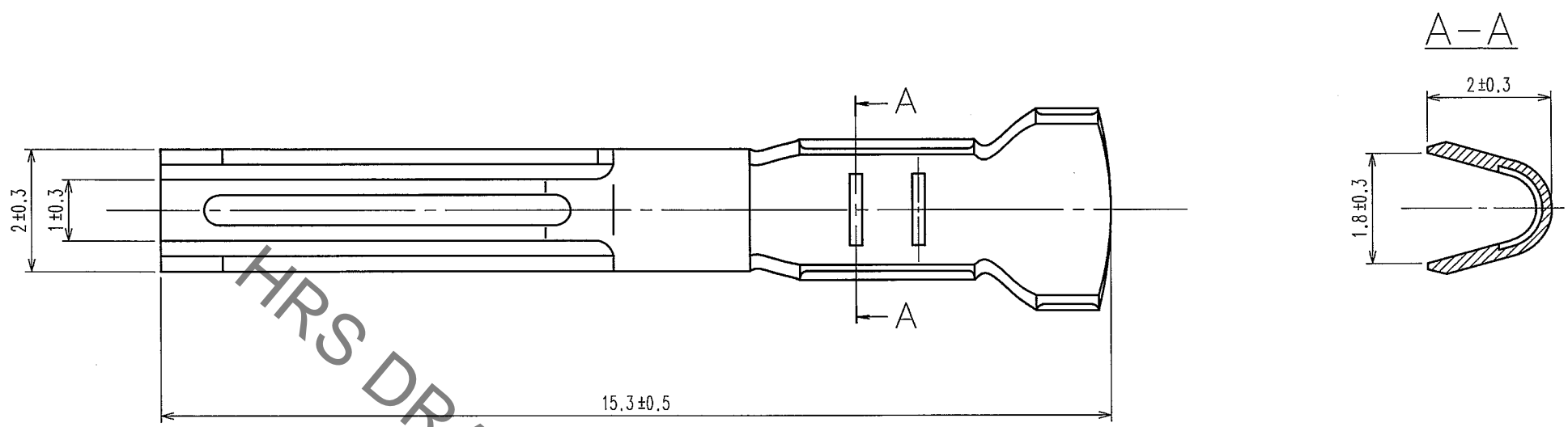


Jun.1.2019 Copyright 2019 HIROSE ELECTRIC CO., LTD. All Rights Reserved.
 In case of consideration for using Automotive equipment / device which demand high reliability, kindly contact our sales window correspondents.

5		6			7		8		
COUNT	DESCRIPTION OF REVISIONS	BY	CHKD	DATE	COUNT	DESCRIPTION OF REVISIONS	BY	CHKD	DATE
△				..	△				..
△				..	△				..
△				..	△				..



NOTE 1. THIS CONTACT IS APPLICABLE TO THE WIRES, 20 TO 24.
 HOWEVER, IT CANNOT BE USED FOR A QR/P6 SERIES CONNECTOR.

NO. 1	MATERIAL PHOSHOR BRONZE	FINISH, REMARKS SELECTIVE GOLD PLATING 0.2μm OVER NICKEL PLATING.
NO.	MATERIAL	FINISH, REMARKS
CODE NO. (OLD)	DRAWN <i>H. Yamashita</i>	DESIGNED <i>H. Yamashita</i>
	03.4.7	03.4.7
	CHECKED <i>T. Watanabe</i>	APPROVED <i>K. Miura</i>
	03.4.7	03.4.8
SCALE 10 : 1	DRAWING NO. EDC3-020657-01	PART NO. QR/P1-PC2B-121(12)
UNITS mm	HRS HIROSE ELECTRIC CO., LTD	CODE NO. CL221-0115-0-12

Q1	0
Q2	2

Mouser Electronics

Authorized Distributor

Click to View Pricing, Inventory, Delivery & Lifecycle Information:

[Hirose Electric:](#)

[QR/P1-PC2B-121\(12\)](#)