

DESCRIPTION: 13W3 // F // COAXIAL // PCB MOUNT

SPECIFICATIONS:

ELECTRICAL:

INSULATOR RESISTANCE: 10,000 GOHMS Min.
 DIELECTRIC WITHSTANDING: 1,000VAC r.m.s.
 OPERATING TEMPERATURE: -55° C ~ +125° C
 COAXIAL CONTACT IMPEDANCE: 50 OHMS
 SIGNAL CONTACT RESISTANCE: 10 Milliohms Max.
 SIGNAL PINS: 5 AMPS

MECHANICAL:

CONTACT INSERTION FORCE: 4.5 Kg Max.
 CONTACT SEPARATOR FORCE: 0.3Kg Min.

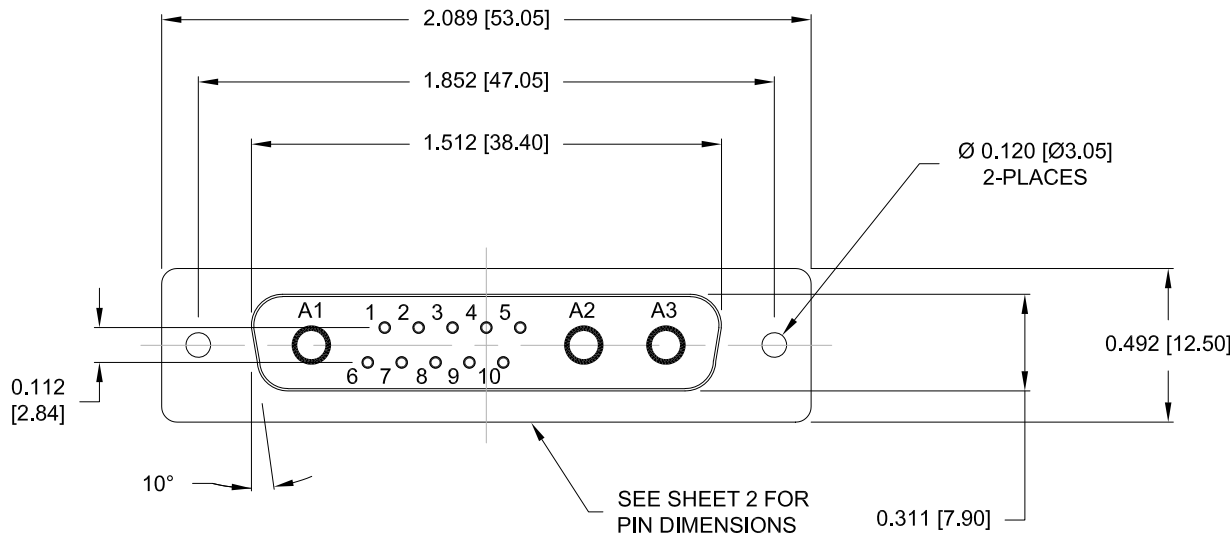
MATERIALS:

CONTACTS: COPPER ALLOY
 INSULATOR: PBT UL94V-0 RATED,
 230°C PROCESS TEMP.
 BLACK
 STEEL

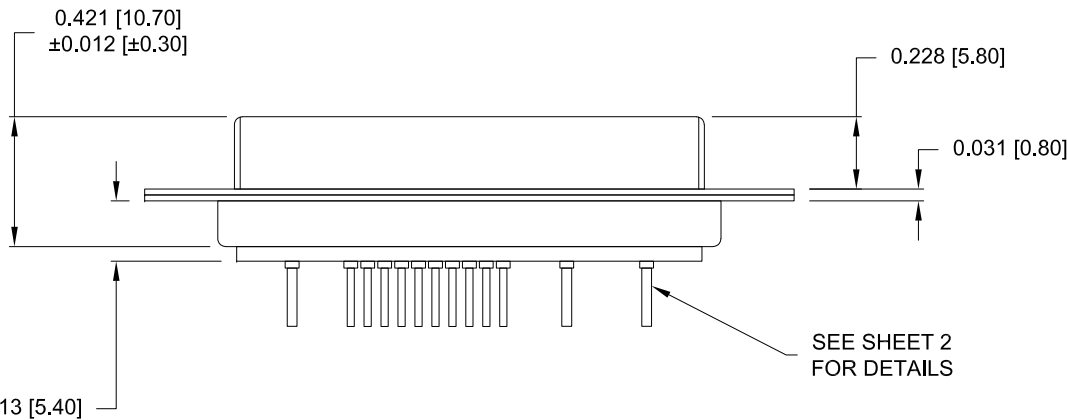
SHELL:

FINISH:

SHELL: NICKEL
 CONTACTS: FULL GOLD FLASH



SEE SHEET 2 FOR PIN DIMENSIONS



SEE SHEET 2 FOR DETAILS

683M13W3203LYYY

- 0 = 50 OHM
- 1 = Gold Flash
- 0 = NO HARDWARE
- 1 = 0.098" CN PCB SIDE
- 2 = 0.236" CN PCB SIDE
- 3 = 0.236" CN MATING SIDE
- 4 = 0.237" BOARDLOCK PCB SIDE
- 5 = 0.224" BOARDLOCK PCB SIDE

RoHS COMPLIANT

UNITS = INCHES [MM] DO NOT SCALE FROM DRAWING



THESE DRAWINGS AND SPECIFICATIONS ARE THE PROPERTY OF NorComp AND SHALL NOT BE REPRODUCED, COPIED OR USED AS THE BASIS FOR THE MANUFACTURE OR SALE OF APPARATUS WITHOUT WRITTEN PERMISSION.

DRAWN: M. SIGMON

DATE: 02/18/2014

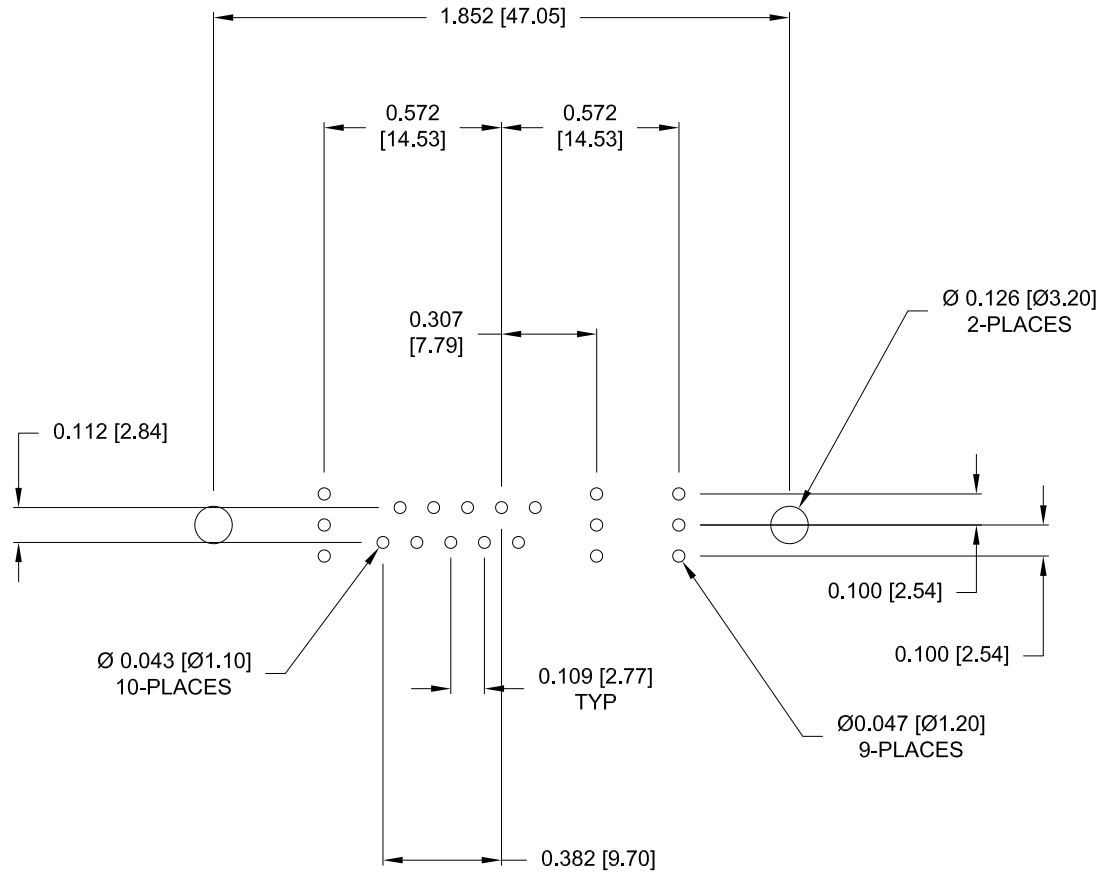
NorComp

SCALE: NTS SHEET 1 OF 3 REV 2

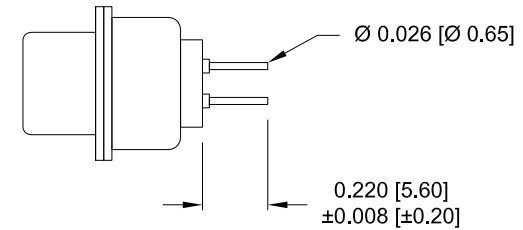
DWG NO: 683M13W3203LYYY

DESCRIPTION: 13W3 // F // COAXIAL // PCB MOUNT

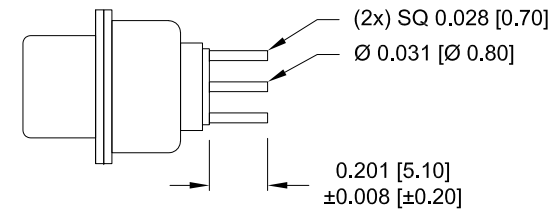
NOTE:
COAXIAL CONTACTS COME
PRE-LOADED INTO INSULATORS



RECOMMENDED PCB LAYOUT



SIGNAL CONTACTS



50 OHM COAXIAL CONTACT

RoHS COMPLIANT

UNITS = INCHES [MM] DO NOT SCALE FROM DRAWING



THESE DRAWINGS AND SPECIFICATIONS ARE THE PROPERTY OF NorComp AND SHALL NOT BE REPRODUCED, COPIED OR USED AS THE BASIS FOR THE MANUFACTURE OR SALE OF APPARATUS WITHOUT WRITTEN PERMISSION.

DRAWN:
M. SIGMON

DATE:
02/18/2014

NorComp

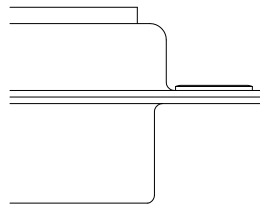
| | | | |
|---------------|------------|---------|----------|
| SCALE: NTS | SHEET 2 | OF 3 | REV 2 |
|---------------|------------|---------|----------|

DWG NO: 683M13W3203LYYY

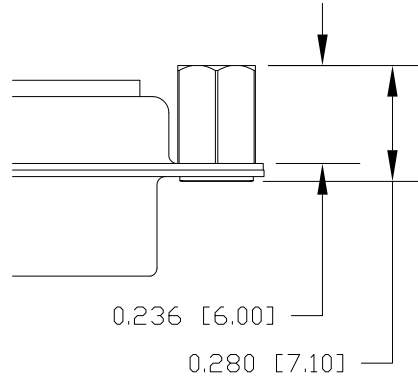
ALL CLINCH-NUTS ARE 4-40 INTERNAL THREADS

TOLERANCE:
ALL DIMENSIONS ARE ±0.010

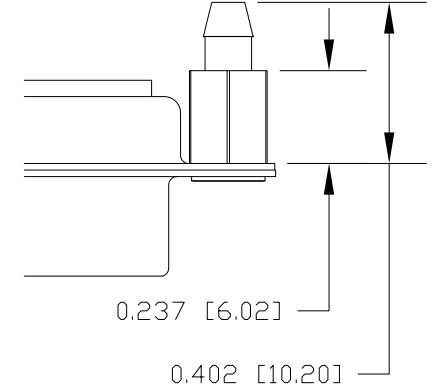
0 NO HARDWARE



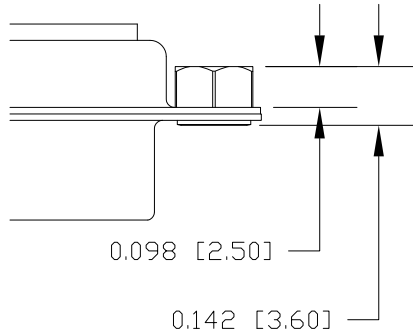
2 0.236" PCB SIDE



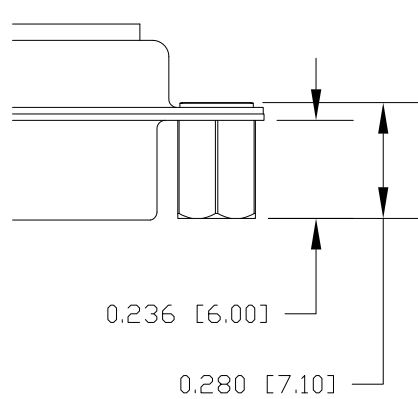
4 0.237" PCB SIDE



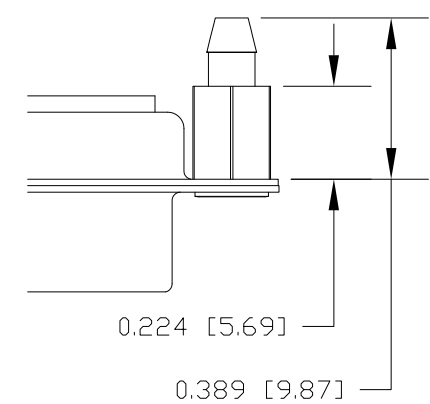
1 0.098" PCB SIDE



3 0.236" MATING SIDE



5 0.224" PCB SIDE



RoHS COMPLIANT

UNITS = INCHES [MM] DO NOT SCALE FROM DRAWING



THESE DRAWINGS AND SPECIFICATIONS ARE THE PROPERTY OF NorComp AND SHALL NOT BE REPRODUCED, COPIED OR USED AS THE BASIS FOR THE MANUFACTURE OR SALE OF APPARATUS WITHOUT WRITTEN PERMISSION.

DRAWN:
M. SIGMON

DATE:
02/18/2014

NorComp

SCALE:
NTS

SHEET OF
3 3

REV
2

DWG NO:

683M13W3203LYYY

Mouser Electronics

Authorized Distributor

Click to View Pricing, Inventory, Delivery & Lifecycle Information:

[NorComp:](#)

[683M13W3203L001](#) [683M13W3203L041](#) [683M13W3203L051](#) [683M13W3203L011](#)