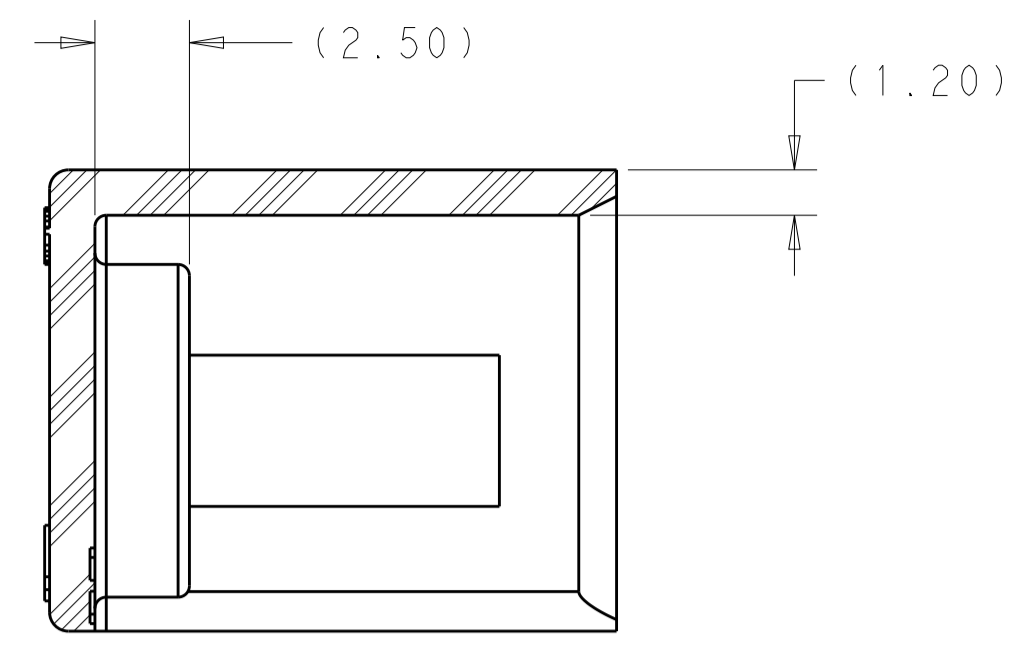
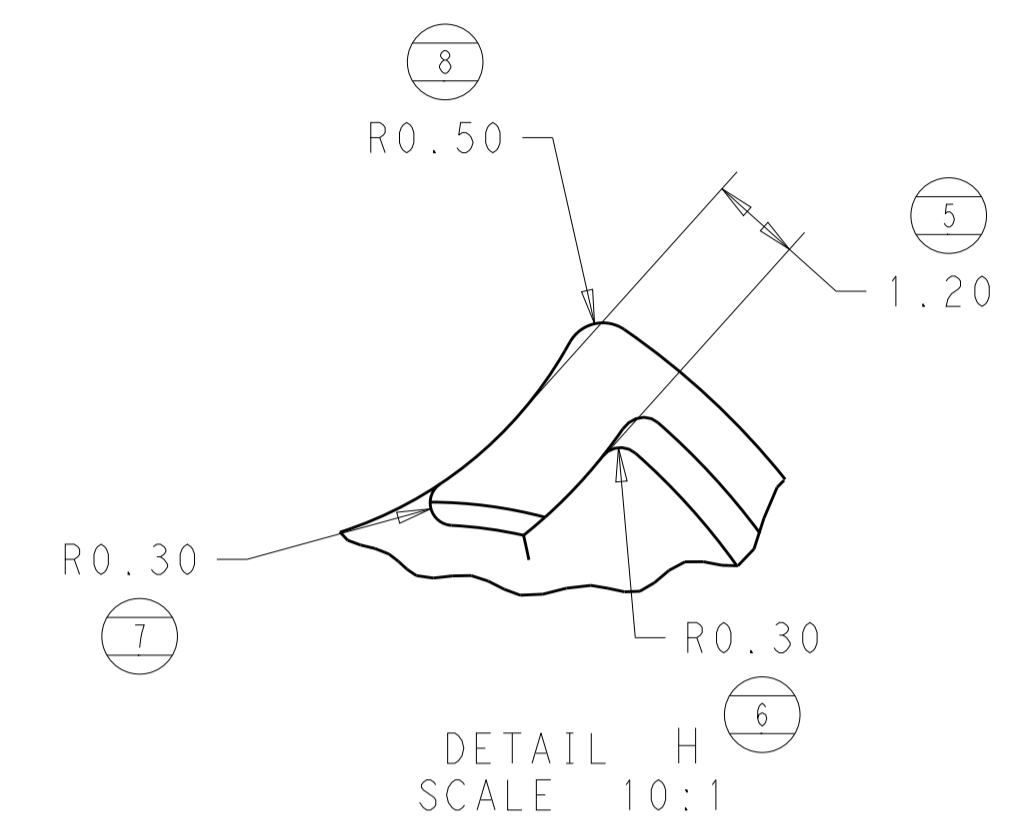


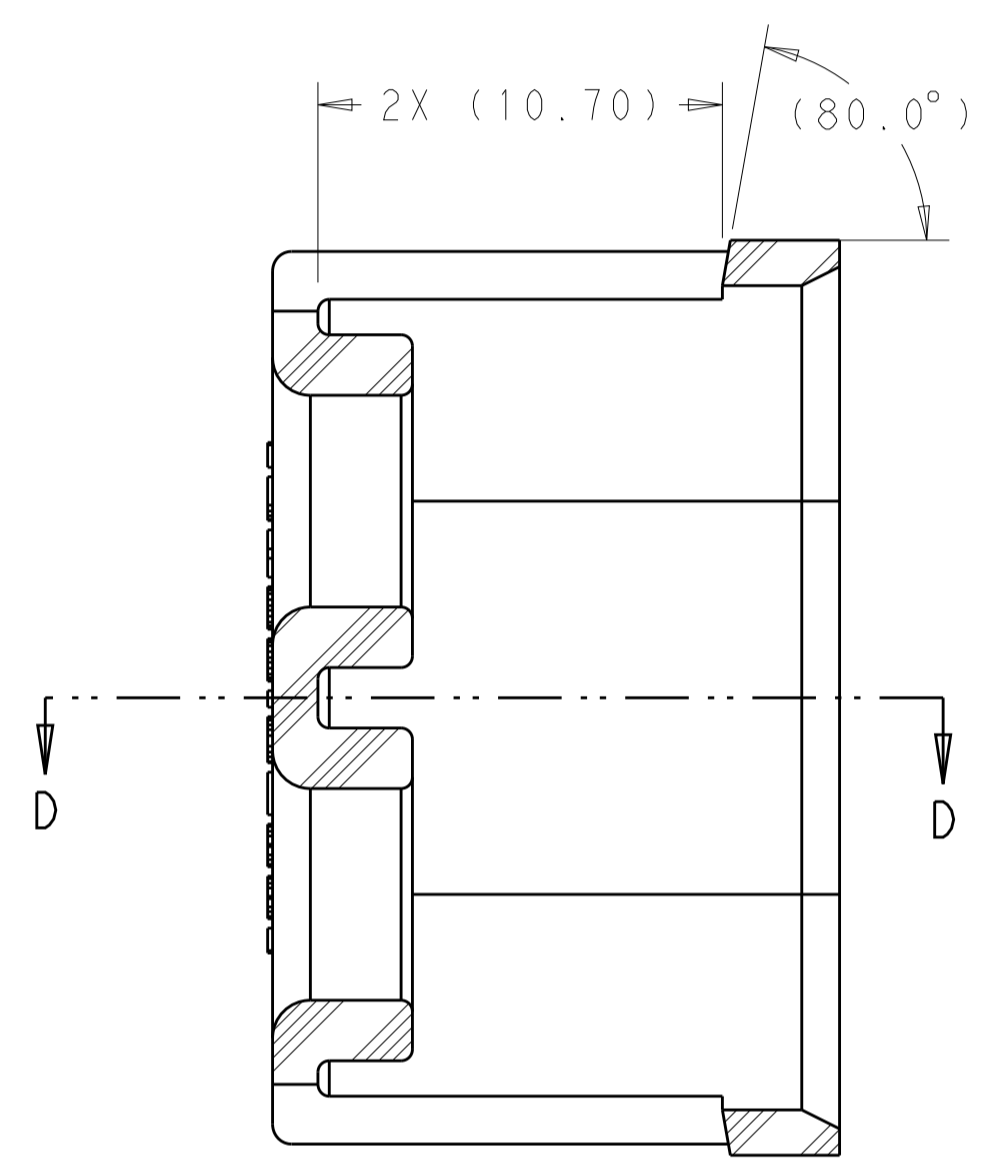
REVISIONS				
P.	LTM	DESCRIPTION	DATE	APVD
A		ECO-14-005495	10APR2014	AD AD



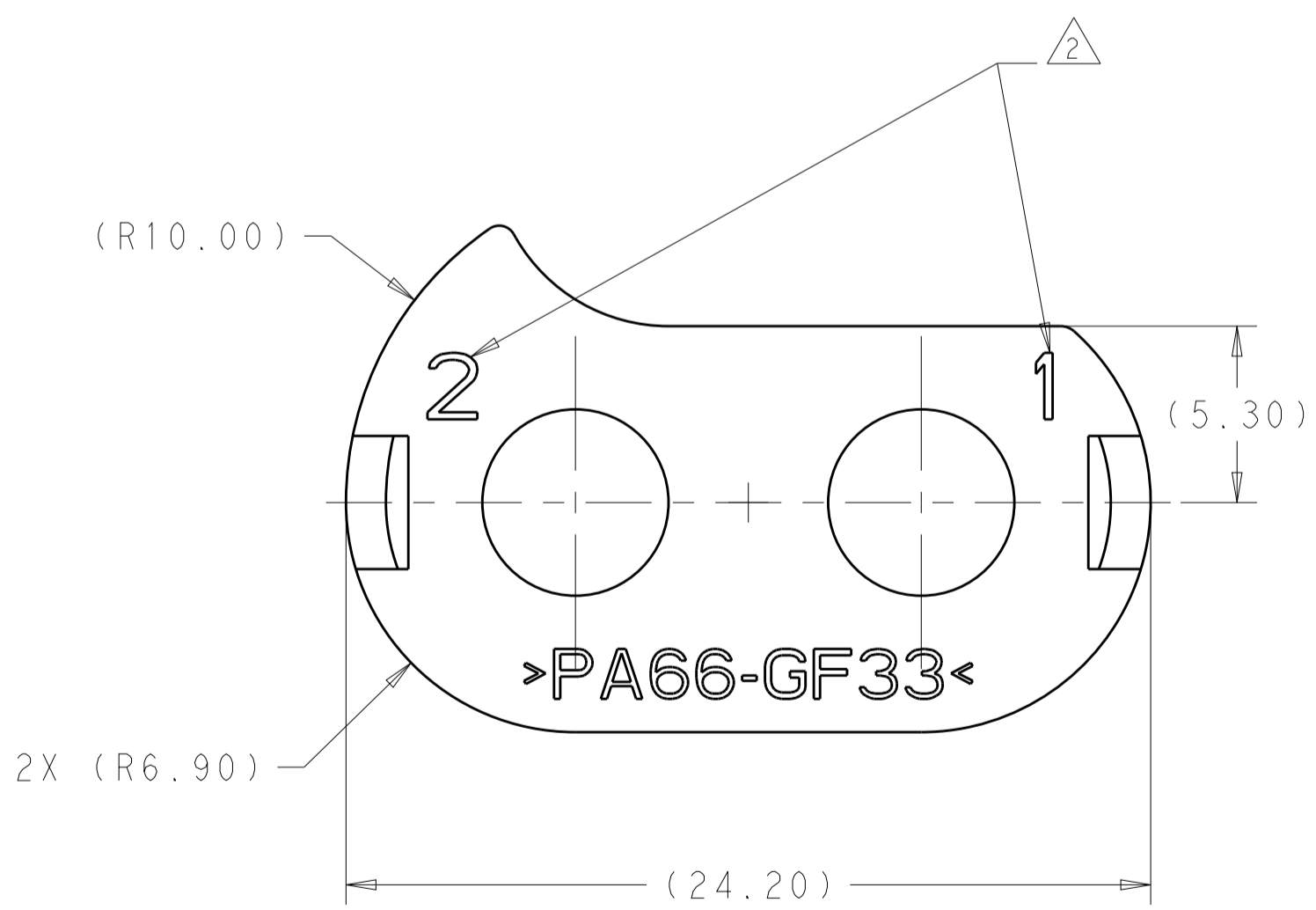
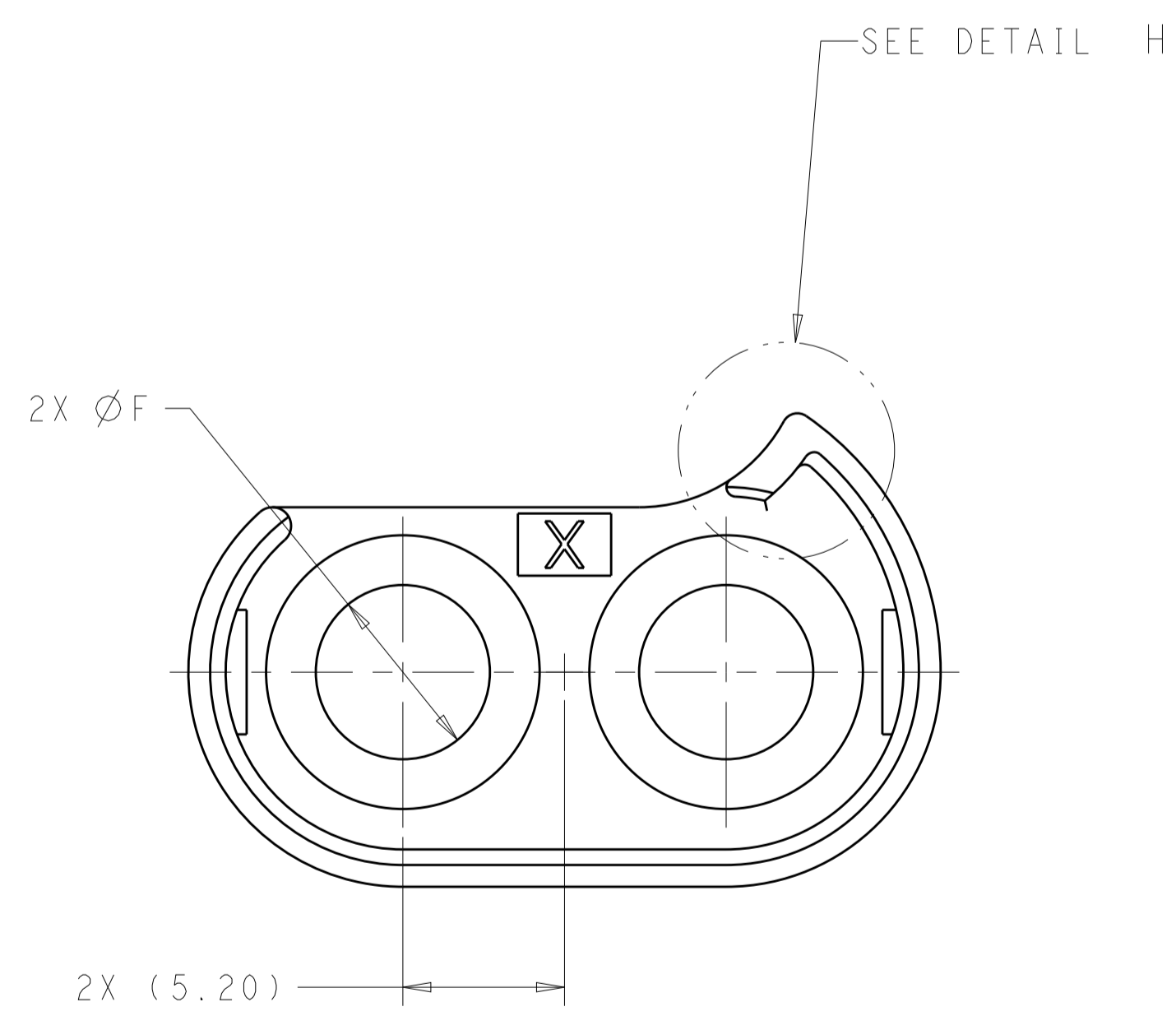
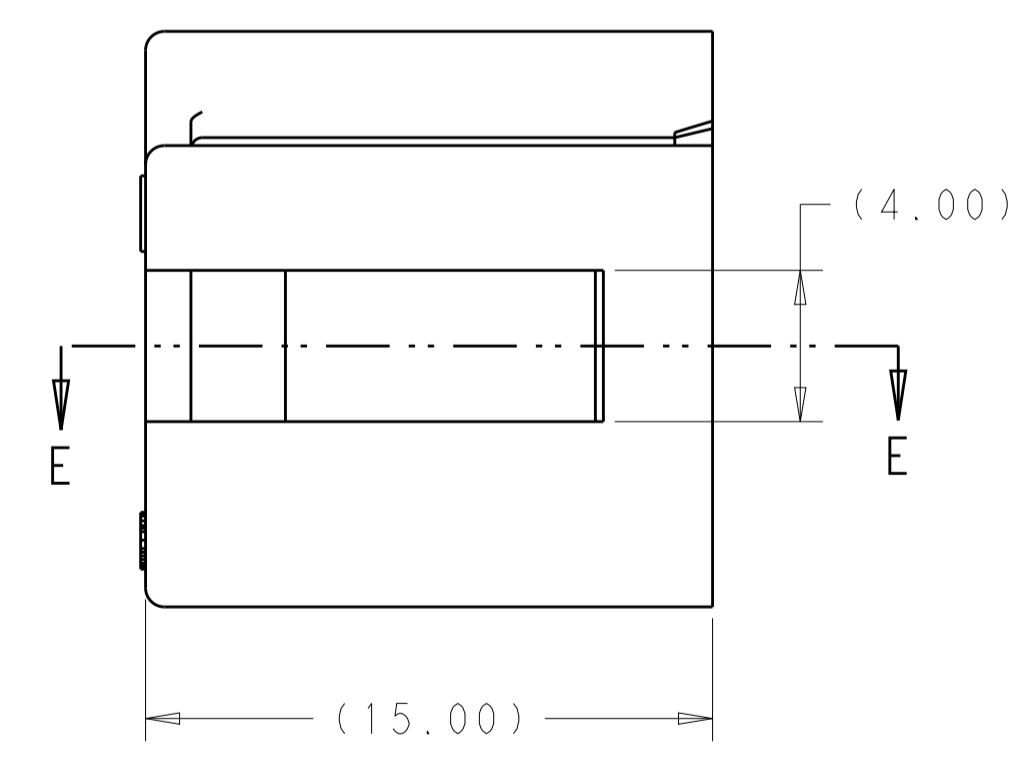
SECTION D-D



DETAIL H
SCALE 10:1



SECTION E-E



△ MATERIAL :
 TYPE : PA66 33%GF
 COLOR : SEE TABLE
 △ CIRCUIT ID

DK GREY	5.48	6.10	6.20	CABLE SEAL RETAINER, SIZE C	1587940-3
ORANGE	4.76	5.48	5.60	CABLE SEAL RETAINER, SIZE B	1587940-2
BLACK	4.11	4.76	4.90	CABLE SEAL RETAINER, SIZE A	1587940-1
COLOR	MIN	MAX	F	DESCRIPTION	PART NO
	WIRE O.D.				

THIS DRAWING IS A CONTROLLED DOCUMENT. DWN: A DE CHAZAL 07DEC2011
 CHK: A DE CHAZAL 07DEC2011

STE TE Connectivity

NAME: SEAL RETAINER, CABLE HVA280-2PH1

PRODUCT SPEC: -
 APPLICATION SPEC: -

SIZE: A1 CAGE CODE: 00779 DRAWING NO: 1587940
 WEIGHT: -
 MATERIAL: -
 FINISH: -

CUSTOMER DRAWING SCALE: 5:1 SHEET: 1 OF 1 REV: A

Mouser Electronics

Authorized Distributor

Click to View Pricing, Inventory, Delivery & Lifecycle Information:

[TE Connectivity:](#)

[1587940-3](#)