

4

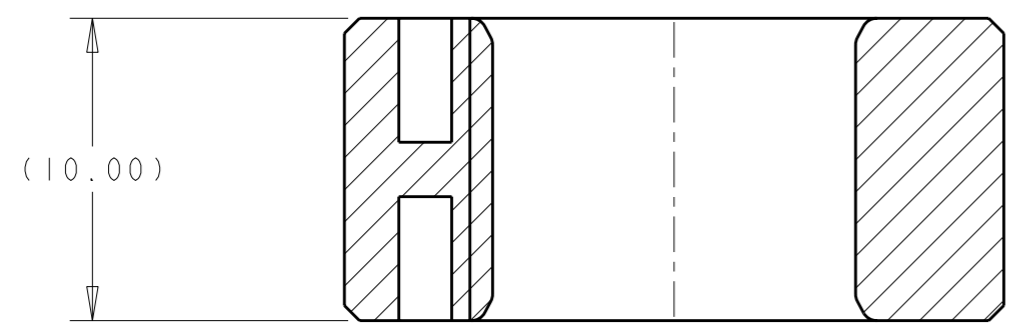
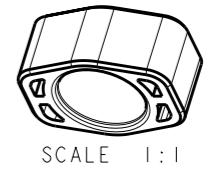
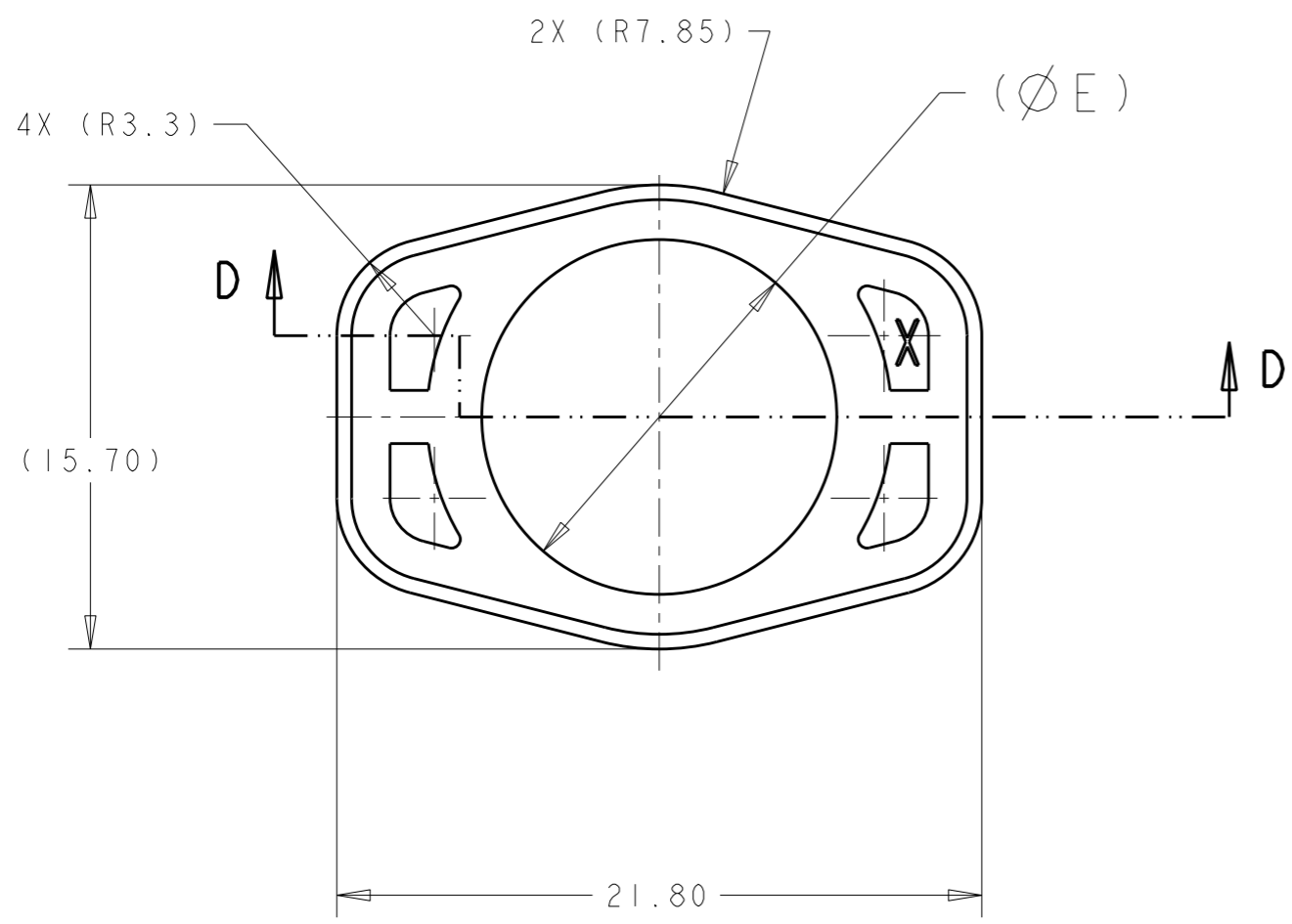
3

2

1

THIS DRAWING IS UNPUBLISHED. RELEASED FOR PUBLICATION 20  
 © COPYRIGHT 20 BY TYCO ELECTRONICS CORPORATION. ALL RIGHTS RESERVED.

LOC	DIST	REVISIONS			
P	LTR	DESCRIPTION	DATE	DWN	APVD
		A	ECO-09-020745	23SEP2009	DS AT



SECTION D-D

- 1 MATERIAL:  
 TYPE: PBT 30%GF  
 COLOR: SEE TABLE
- 2 PRELIMINARY PART—NOT RELEASED FOR PRODUCTION

2	13.00	ORANGE	9.90-10.50	1587735-2
	12.00	NATURAL	8.10-9.30	1587735-1
	E	COLOR	CABLE DIA	PART NO

<small>THIS DRAWING IS A CONTROLLED DOCUMENT FOR TYCO ELECTRONICS CORPORATION          IT IS SUBJECT TO CHANGE AND THE CONTROLLING ENGINEERING ORGANIZATION          SHOULD BE CONTACTED FOR THE LATEST REVISION.</small>		DWN 02JUN2008 <b>D SIMPSON</b> CHK 02JUN2008 <b>A TYLER</b> APVD - PRODUCT SPEC - APPLICATION SPEC - WEIGHT -		Tyco Electronics Harrisburg, PA 17105-3608	
DIMENSIONS: mm 		TOLERANCES UNLESS OTHERWISE SPECIFIED: 0 PLC ±- 1 PLC ±0.15 2 PLC ±0.10 3 PLC ±- 4 PLC ±- ANGLES ±1°		NAME <b>SPACER, PLUG          HVA280-3PM</b>	
MATERIAL - 1 FINISH -		CUSTOMER DRAWING		SIZE A3 CAGE CODE 00779 DRAWING NO C-1587735 RESTRICTED TO - SCALE 4:1 SHEET OF REV A	

# Mouser Electronics

Authorized Distributor

Click to View Pricing, Inventory, Delivery & Lifecycle Information:

[TE Connectivity:](#)

[1587735-1](#)