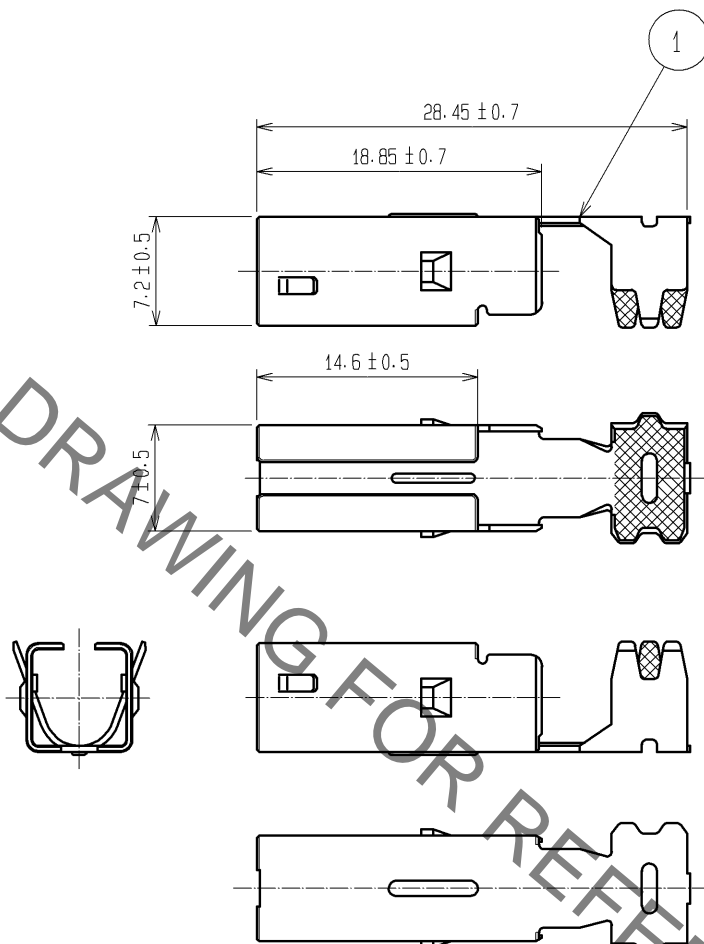


Jun.1.2019 Copyright 2019 HIROSE ELECTRIC CO., LTD. All Rights Reserved.  
 In case of consideration for using Automotive equipment / device which demand high reliability, kindly contact our sales window correspondents.

ELV, RoHS COMPLIANT



Applicable Cable :  $\phi 5 \pm 0.2$

1	COPPER ALLOY	TIN PLATED						
NO.	MATERIAL	FINISH	REMARKS	NO.	MATERIAL	FINISH	REMARKS	
UNITS mm		SCALE 2 : 1	COUNT 	DESCRIPTION OF REVISIONS		DESIGNED	CHECKED	DATE
<b>HRS</b> HIROSE ELECTRIC CO., LTD.	APPROVED	: KS. SATOH	08.07.08	DRAWING NO.		EDC4-166840-00		
	CHECKED	: NH. NAKATA	08.07.08	PART NO.		GT17HNS-4DS-5CF		
	DESIGNED	: NA. HARUBAYASHI	08.07.08	CODE NO.		CL767-0151-1-00		
	DRAWN	: MH. SHOUJI	08.07.07			1/1		

# Mouser Electronics

Authorized Distributor

Click to View Pricing, Inventory, Delivery & Lifecycle Information:

[Hirose Electric:](#)

[GT17HNS-4DS-5CF](#)