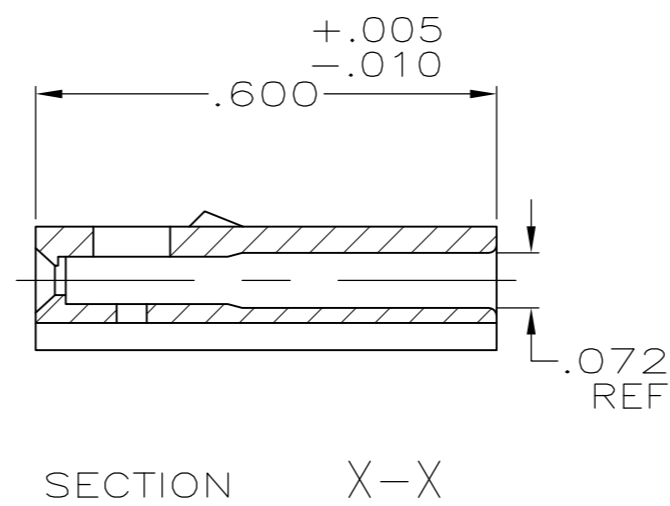
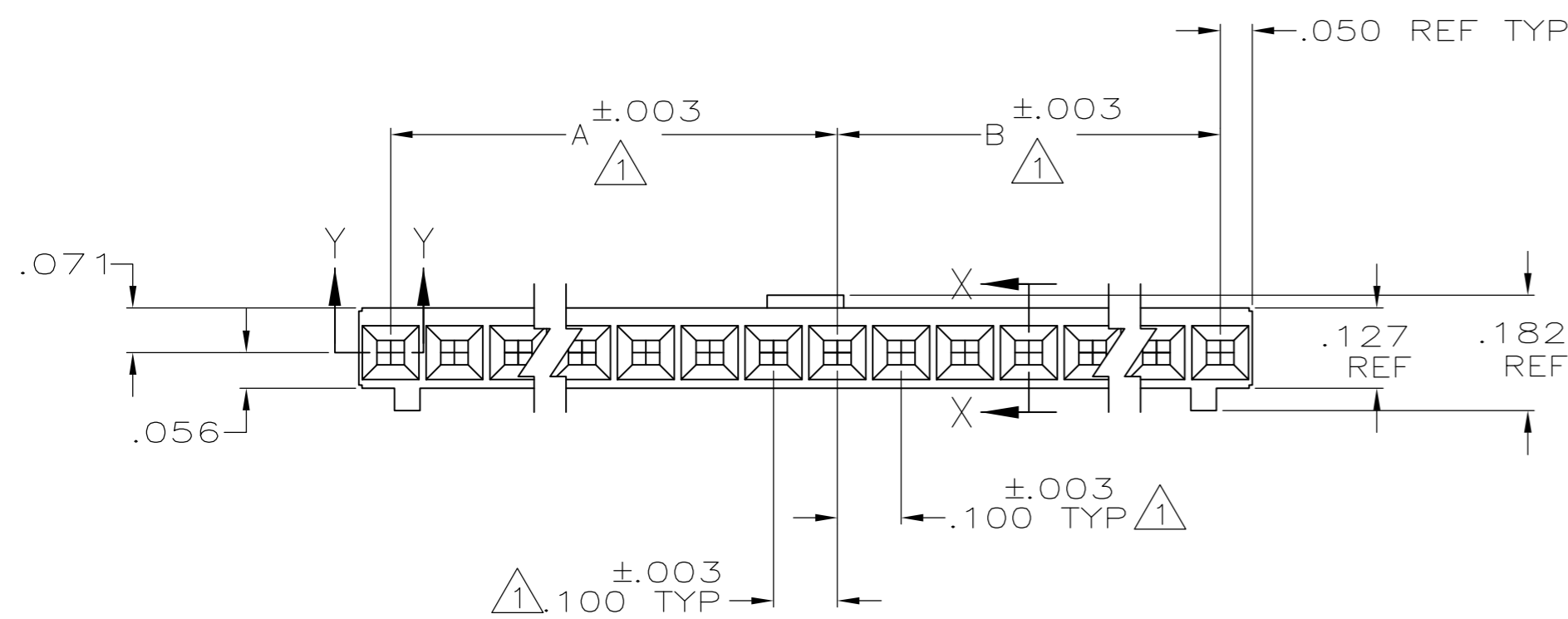
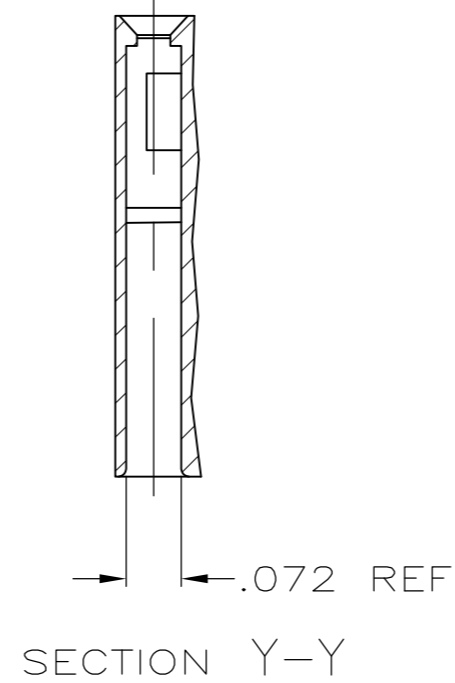
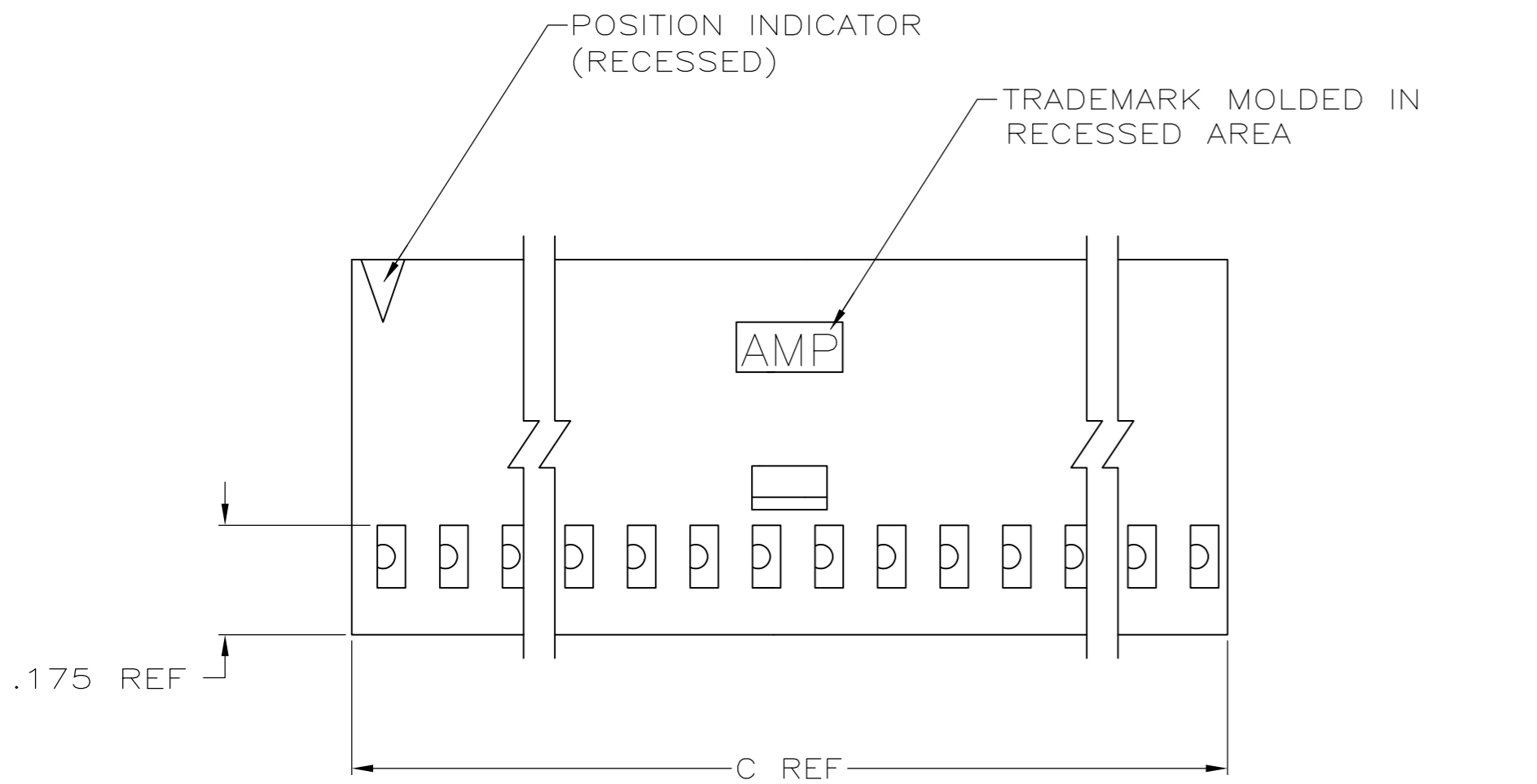


THIS DRAWING IS UNPUBLISHED. RELEASED FOR PUBLICATION
 © COPYRIGHT - By - ALL RIGHTS RESERVED.

LOC	DIST	REVISIONS					
AD	39	P	LTR	DESCRIPTION	DATE	DWN	APVD
		N3		REVISED PER ECO-11-004587	11MAR11	RK	HMR



3	C	B	A	NO OF POS	PART NUMBER
3.600	1.700	1.800	36	3-102241-4	
3.500	1.700	1.700	35	3-102241-3	
3.400	1.600	1.700	34	3-102241-2	
3.300	1.600	1.600	33	3-102241-1	
3.200	1.500	1.600	32	3-102241-0	
3.100	1.500	1.500	31	2-102241-9	
3.000	1.400	1.500	30	2-102241-8	
2.900	1.400	1.400	29	2-102241-7	
2.800	1.300	1.400	28	2-102241-6	
2.700	1.300	1.300	27	2-102241-5	
2.600	1.200	1.300	26	2-102241-4	
2.500	1.200	1.200	25	2-102241-3	
2.400	1.100	1.200	24	2-102241-2	
2.300	1.100	1.100	23	2-102241-1	
2.200	1.000	1.100	22	2-102241-0	
2.100	1.000	1.000	21	1-102241-9	
2.000	.900	1.000	20	1-102241-8	
1.900	.900	.900	19	1-102241-7	
1.800	.800	.900	18	1-102241-6	
1.700	.800	.800	17	1-102241-5	
1.600	.700	.800	16	1-102241-4	
1.500	.700	.700	15	1-102241-3	
1.400	.600	.700	14	1-102241-2	
1.300	.600	.600	13	1-102241-1	
1.200	.500	.600	12	1-102241-0	
1.100	.500	.500	11	102241-9	
1.000	.400	.500	10	102241-8	
.900	.400	.400	9	102241-7	
.800	.300	.400	8	102241-6	
.700	.300	.300	7	102241-5	
.600	.200	.300	6	102241-4	
.500	.200	.200	5	102241-3	
.400	.100	.200	4	102241-2	
.300	.100	.100	3	102241-1	

- 1 CAVITY LOCATION DIMENSIONS INCREASE IN INCREMENTS OF .100 TOLERANCE NON-CUMULATIVE
- 2 USE EXTRACTION TOOL 91052-1 TO REMOVE RECEPTACLE CONTACTS
- 3 OBSOLETE PARTS: OBSOLETE CIS STREAMLINING PER D.RENAUD/D.SINISI

THIS DRAWING IS A CONTROLLED DOCUMENT. DWN D FABIAN 8-2-78
 CHK B WOLFE 10-27-78

DIMENSIONS: INCHES TOLERANCES UNLESS OTHERWISE SPECIFIED:
 0 PLC ± -
 1 PLC ± -
 2 PLC ± -
 3 PLC ± .005
 4 PLC ± -
 ANGLES ± -
 FINISH -

MATERIAL: GLASS FILLED NYLON, FLAME RETARDANT, COLOR: BLACK PER ASTM D4066

TE Connectivity
 CONN HOUSING, CRIMP SNAP-IN MOD IV, SINGLE ROW, .100 CENTERS, WITH POLARIZATION AND DETENTS

SIZE: A2 CAGE CODE: 00779 DRAWING NO: C=102241 RESTRICTED TO: -
 WEIGHT: - SCALE: - SHEET: 1 OF 1 REV: N3

Mouser Electronics

Authorized Distributor

Click to View Pricing, Inventory, Delivery & Lifecycle Information:

[TE Connectivity:](#)

[2-102241-0](#)