

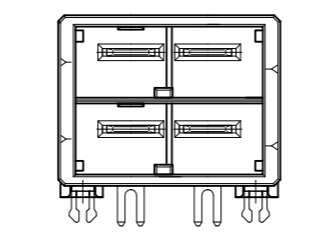
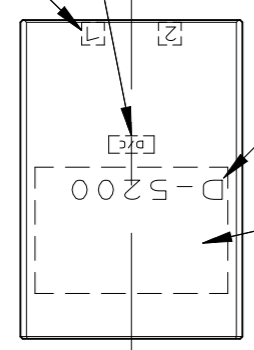
THIS DRAWING IS UNPUBLISHED. RELEASED FOR PUBLICATION
 © COPYRIGHT 1997 By Tyco Electronics Japan G.K. ALL RIGHTS RESERVED.

LOC	DIST	REVISIONS					
		P	LTR	DESCRIPTION	DATE	DWN	APVD
J	-		E	REVISED	08MAR2021	M.J	E.I

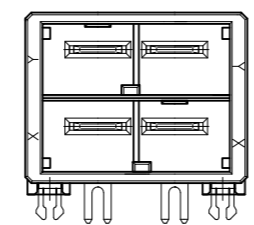
回路番号
CIRCUIT NO

デートコード
DATE CODE

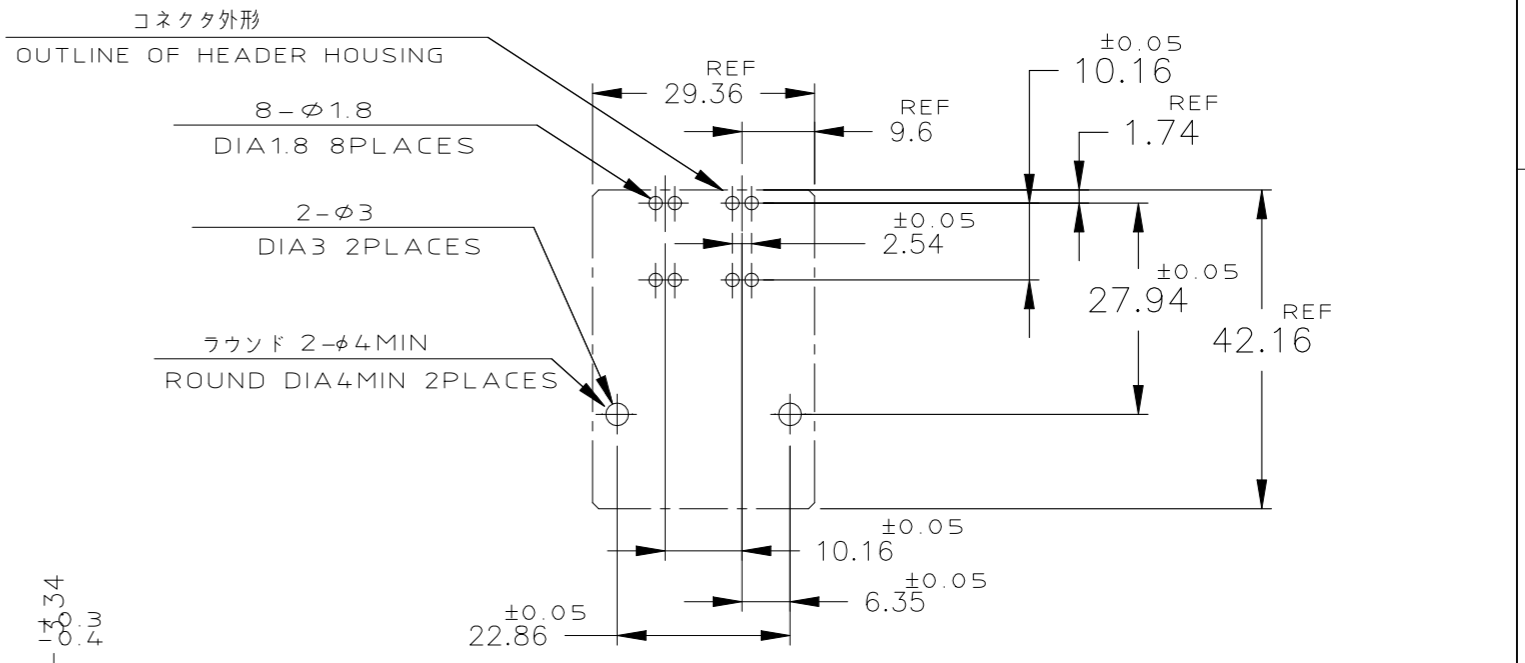
シリーズマーク
SERIES MARK



2-1123309-2,3
(KEYING:YY)



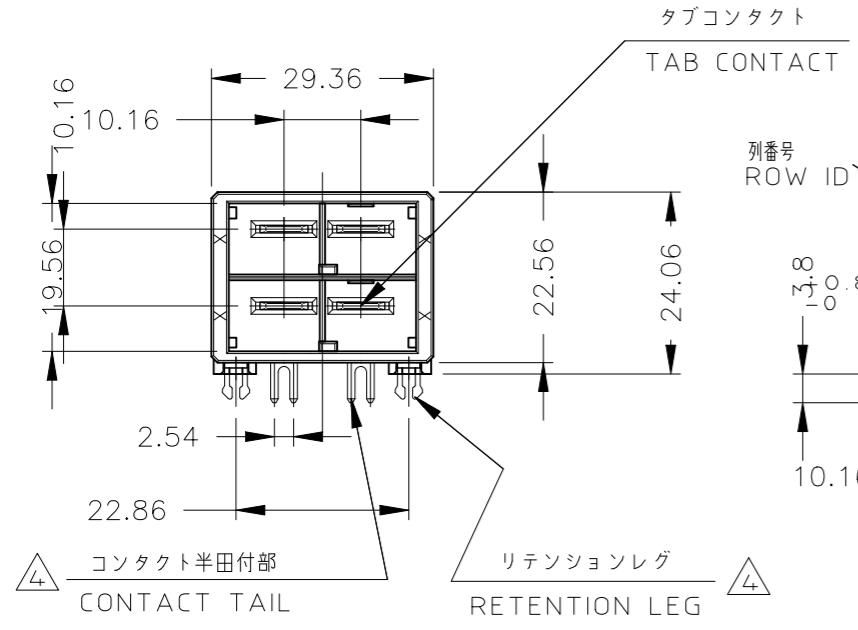
3-1123309-2,3
(KEYING:XY)



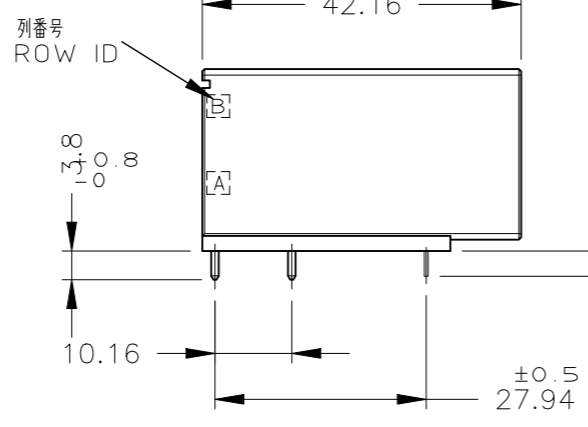
推奨基板取付け穴寸法 (公差: ±0.05)
 PC 基板厚: 1.6 ~ 2.4 ± 0.1
 (コネクタ搭載面)

RECOMENDED PC BOARD HOLE PATTERN (TOL: ±0.05)
 PC BOARD THICKNESS: 1.6 ~ 2.4 ± 0.1
 (CONNECTOR MOUNT SIDE)

矢視 "A"
VIEW "A"



1-1123309-2,3
(KEYING:XX)



矢視 "A"
VIEW "A"

1. MATERIAL: HOUSING: GLASS FILED THERMO PLASTIC, POLYESTER (94V-0), COLOR: BLACK
 TAB CONTACT: COPPER ALLOY
 RETENTION LEG: BRASS
- △1 FINISH (CONTACT AREA): 0.38 μm MIN GOLD PLATING OVER Ni PLATING
 - △3 FINISH (CONTACT AREA): 0.76 μm MIN GOLD PLATING OVER Ni PLATING
 - △4 FINISH (RETENTION LEG): TIN PLATED (CONTACT TAIL) OVER NICKEL
 - △5 OBSOLETE PARTS : OBSOLETE CIS STREAMLINING PER D.RENAUD/D.SINISI
 - △6 FINISH (CONTACT AREA) : ALL OVER 2.54 μm MIN SILVER PLATING OVER Ni PLATING

1. 材料: ハウジング : ガラス入り熱可塑性ポリエステル樹脂 (94V-0)、色: 黒
 : タブコンタクト : 銅合金
 : リテンションレグ : 黄銅
- △1 めっき: コンタクト: 全面Ni下地 接触部: 0.38 μm MIN 金めっき
 - △3 めっき: コンタクト: 全面Ni下地 接触部: 0.76 μm MIN 金めっき
 - △4 めっき: リテンションレグとコンタクト半田付部 : ニッケル下地の上にスズめっき
 - △6 めっき: コンタクト: 全面Ni下地の上に 2.54 μm MIN 全面銀めっき

XY	△4	△3	3-1123309-3	OBSOLETE △5
	△4	△2	3-1123309-2	
YY	△4	△3	2-1123309-3	OBSOLETE △5
	△4	△2	2-1123309-2	
XX	△4	△6	1-1123309-4	
	△4	△3	1-1123309-3	
KEY TYPE	△4	△2	1-1123309-2	
	コンタクトのめっき (FINISH)	製品番号 (PART NO.)		

THIS DRAWING IS A CONTROLLED DOCUMENT.

DIMENSIONS: mm	TOLERANCES UNLESS OTHERWISE SPECIFIED:	DWN K.IKEDA 07NOV1997	TE Connectivity	
	0 PLC ± 102 ± 0.3 1 PLC ± 302 > 10 ± 0.35 2 PLC ± 1002 > 30 ± 0.4 3 PLC ± 4 PLC ± ANGLES ± 3°	CHK N.MATSUBARA 26NOV1997		
		APVD S.MANABE 10DEC1997		NAME
		PRODUCT SPEC 108-5453		APPLICATION SPEC 114-5246
MATERIAL SEE NOTE	FINISH SEE NOTE	WEIGHT	RESTRICTED TO	
CUSTOMER DRAWING		SCALE 1:1	SHEET 1 OF 2	REV E

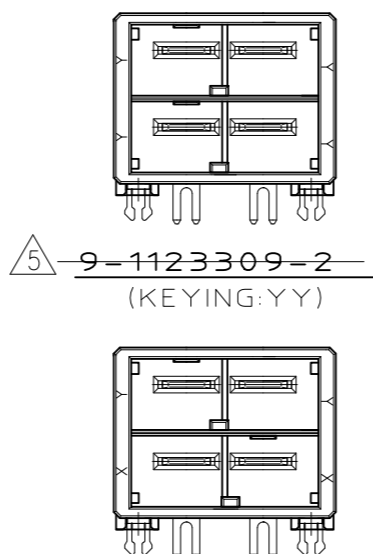
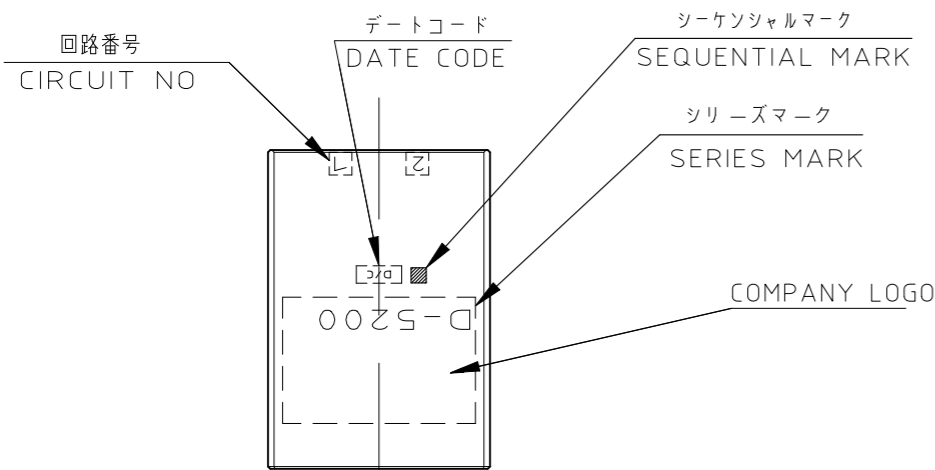
THIS DRAWING IS UNPUBLISHED.

RELEASED FOR PUBLICATION

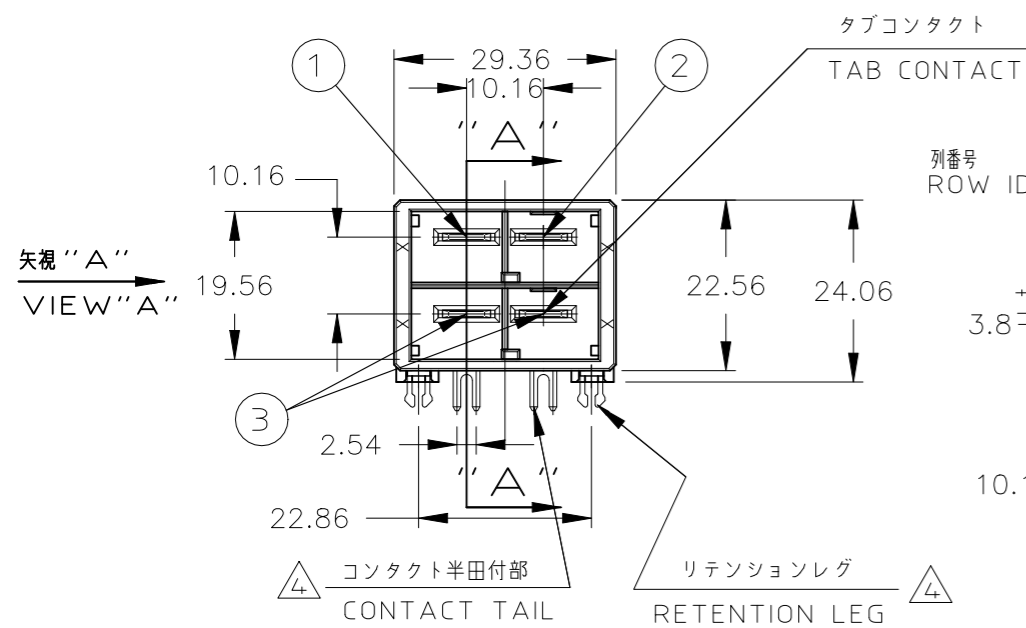
ALL RIGHTS RESERVED.

© COPYRIGHT 1997 By Tyco Electronics Japan G.K.

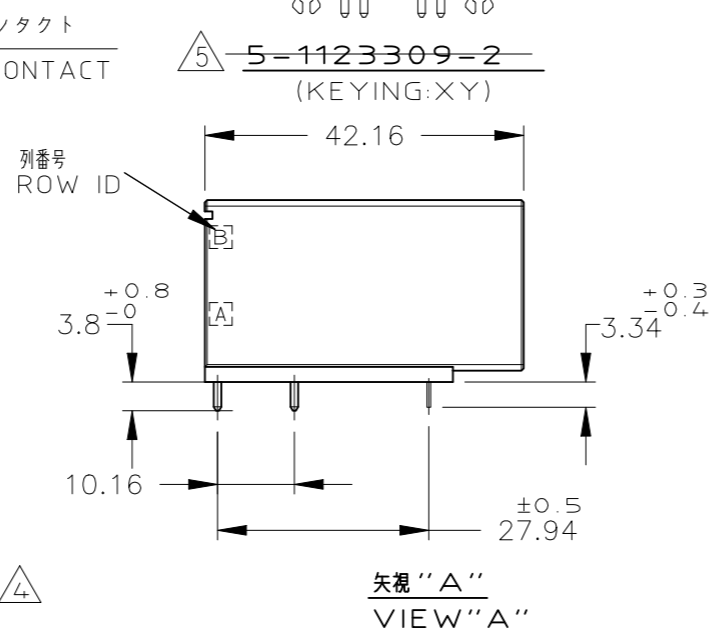
LOC	DIST	REVISIONS					
J	-	P	LTR	DESCRIPTION	DATE	DWN	APVD
		-		SEE SHEET 1	-	-	-



5,8,9-1123309-2;AS SHOWN SEQUENTIAL TYPE

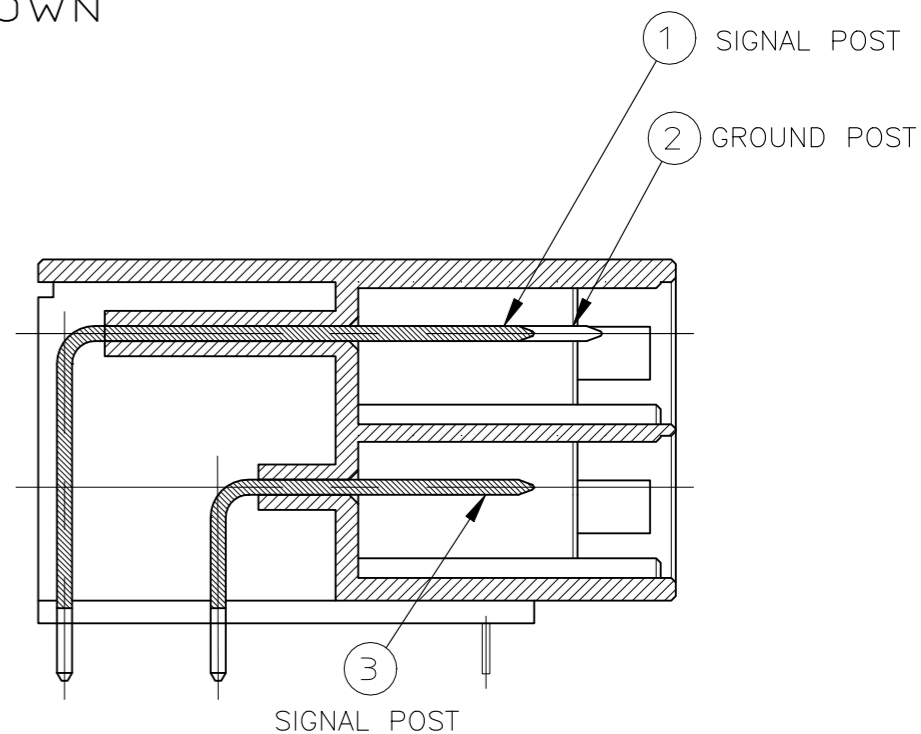


8-1123309-2 (KEYING:XX)



	回路番号	
	1	2
B 列	① Signal	② Ground
A 列	③ Signal	③ Signal

POINT OF SEQUENTIAL



1. MATERIAL:HOUSING:GLASS FILED THERMO PLASTIC
,POLYESTER(94V-0),COLOR:BLACK
TAB CONTACT:COPPER ALLOY
RETENTION LEG:BRASS

- ② FINISH(CONTACT AREA):0.38μmMIN GOLD PLATING OVER Ni PLATING
- ③ FINISH(CONTACT AREA):0.76μmMIN GOLD PLATING OVER Ni PLATING
- ④ FINISH(RETENTION LEG): TIN PLATED (CONTACT TAIL) OVER NICKEL
- ⑤ OBSOLETE PARTS : OBSOLETE CIS STREAMLINING PER D.RENAUD/D.SINISI

1. 材料:ハウジング : ガラス入り熱可塑性ポリエステル樹脂(94V-0)、色:黒
:タブコンタクト : 銅合金
:リテンションレグ : 黄銅

- ② めっき:コンタクト:全面Ni下地 接触部 :0.38μm MIN 金めっき
- ③ めっき:コンタクト:全面Ni下地 接触部 :0.76μm MIN 金めっき
- ④ めっき:リテンションレグとコンタクト半田付部 : ニッケル下地の上にスズめっき

XY	④ ②	-5-1123309-2	⑤ OBSOLETE
YY	④ ②	-9-1123309-2	
XX	④ ②	8-1123309-2	
KEY TYPE	コンタクトのめっき (FINISH)	製品番号 (PART NO.)	

THIS DRAWING IS A CONTROLLED DOCUMENT.		DWN K.IKEDA 07NOV1997	TE Connectivity	
DIMENSIONS: mm		CHK N.MATSUBARA 26NOV1997		
TOLERANCES UNLESS OTHERWISE SPECIFIED:		APVD S.MANABE 10DEC1997	NAME DOUBLE ROW HEADER ASSY 4P H-TYPE DYNAMIC D-5200 D	
		PRODUCT SPEC 108-5453	RESTRICTED TO	
MATERIAL SEE NOTE		APPLICATION SPEC 114-5246	SIZE A3	CAGE CODE 00779
FINISH SEE NOTE		WEIGHT	DRAWING NO C-1123309	REV E
CUSTOMER DRAWING			SCALE 1:1	SHEET 2 OF 2

Mouser Electronics

Authorized Distributor

Click to View Pricing, Inventory, Delivery & Lifecycle Information:

[TE Connectivity:](#)

[2-1123309-2](#)