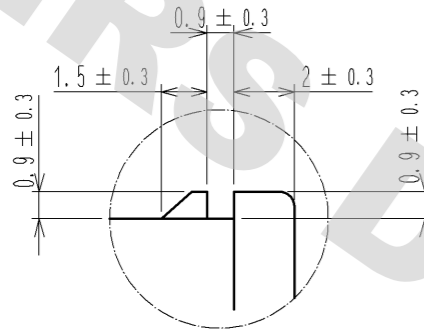
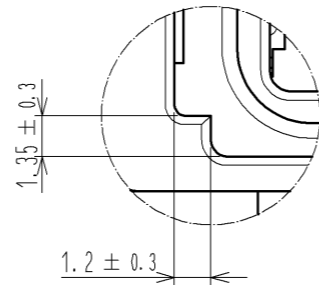


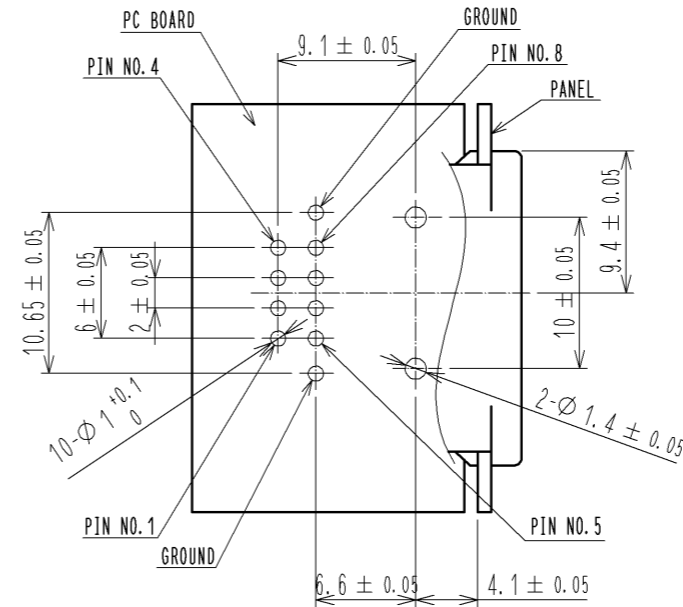
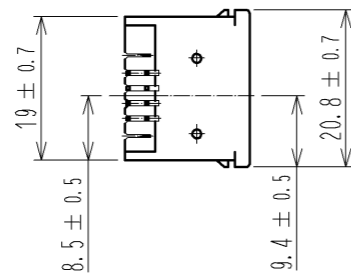
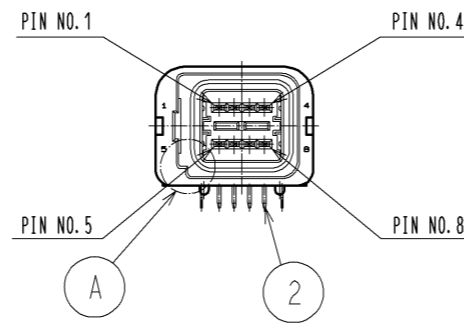
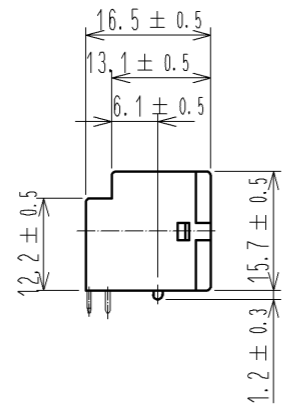
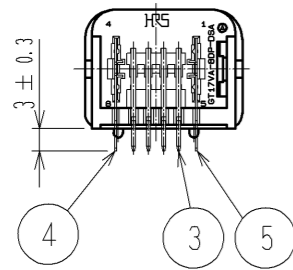
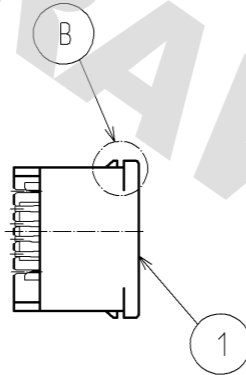
ELV. RoHS COMPLIANT



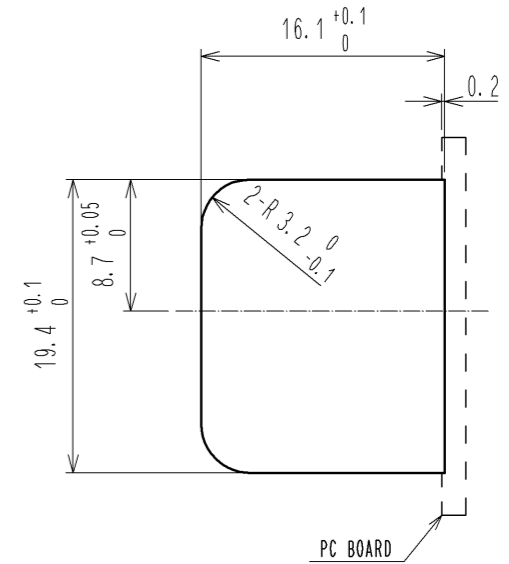
B(4:1)



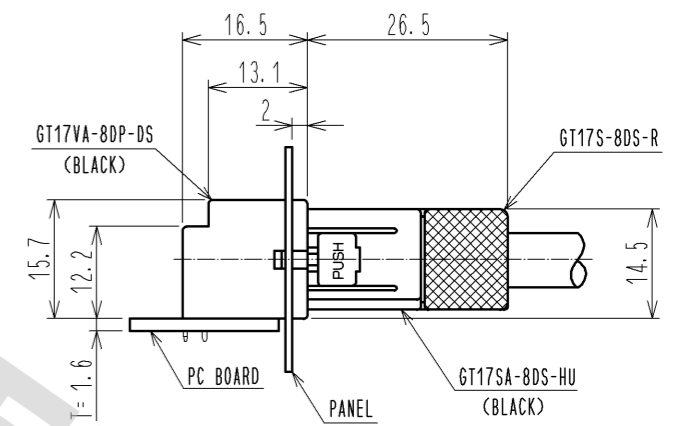
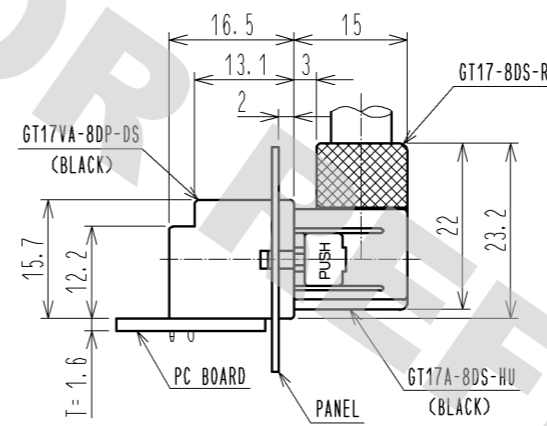
A(4:1)



RECOMMENDED PC BOARD HOLE PATTERN(2:1)



RECOMMENDED PANEL CUTOUT(2:1)



MATED CONNECTOR

3	BRASS	TIN PLATED . T=0.64	5	COPPER ALLOY	TIN PLATED . T=0.25			
2	BRASS	TIN PLATED . T=0.64	4	COPPER ALLOY	TIN PLATED . T=0.25			
1	PBT	BLACK						
NO.	MATERIAL	FINISH . REMARKS	NO.	MATERIAL	FINISH . REMARKS			
UNITS	mm	SCALE	1 : 1	COUNT	DESCRIPTION OF REVISIONS	DESIGNED	CHECKED	DATE
APPROVED : KS. SATOH		08.06.23	DRAWING NO.			EDC3-167191-00		
CHECKED : NH. NAKATA		08.06.20	PART NO.			GT17VA-8DP-DS		
DESIGNED : TS. KUBOTA		08.06.12	CODE NO.			CL767-0200-5-00		
DRAWN : TS. KUBOTA		08.06.12						

DRAWING FOR REFERENCE: This is subject to change without notice  
08/11/2012

# Mouser Electronics

Authorized Distributor

Click to View Pricing, Inventory, Delivery & Lifecycle Information:

[Hirose Electric:](#)

[GT17VA-8DP-DS](#)