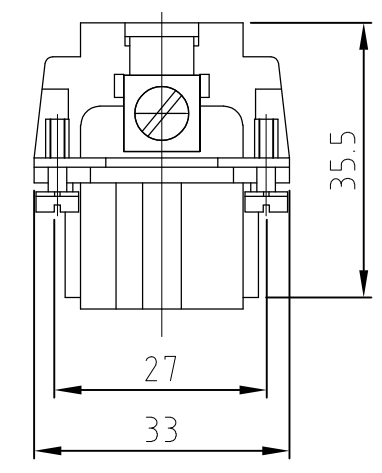
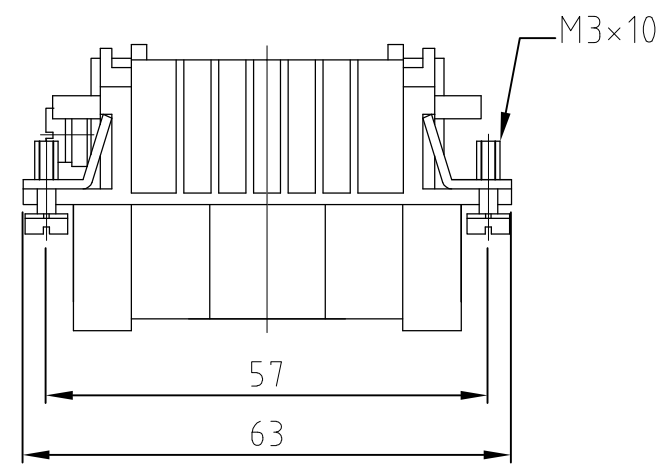


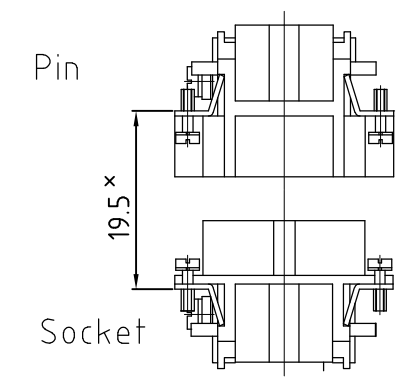
THIS DRAWING IS UNPUBLISHED. RELEASED FOR PUBLICATION  
 © COPYRIGHT BY TYCO ELECTRONICS CORPORATION. ALL INTERNATIONAL RIGHTS RESERVED.

LOC	DIST	REVISIONS					
		P	LTR	DESCRIPTION	DATE	DWN	APVD
A1	-		A2	UL-File entfällt EGD0-0218-03 UL- File removed	20.09.03	SR	SM
			A3	REVISED PER ECO-11-002591	11FEB11	HMR	MM

Maßbild  
Outline drawing



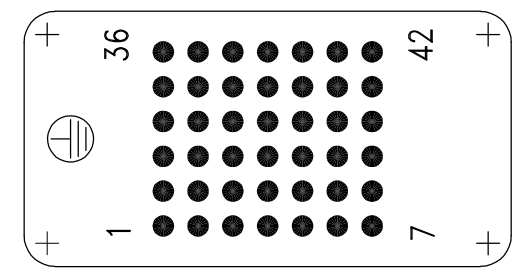
Assembly reference



x Distance for contact max: 21 mm

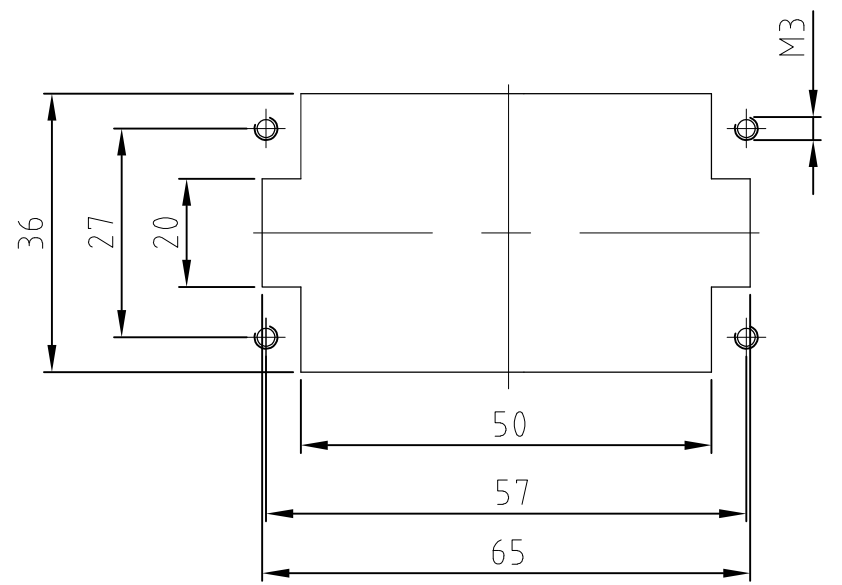
Kontaktanordnung  
Contact arrangement

Ansicht Anschlußseite  
view from termination side



Montageausschnitt  
Panel cut-out for contact insert

bei Verwendung ohne Gehäuse  
when used without housing



Notes,

- 1 Material: insert, PC
- 2 Finish: contact; Ag, Au

Bemerkungen,

- 1 Material: Einsatz: PC
- 2 Oberfläche: Kontakte; Ag, Au

1	Female insert HN.2D.42 Crimp	1	dark gray	1	-	
2-3	DESCRIPTION / BENENNUNG	MATERIAL	COLOR / FARBE	ITEM NO. POS.	REMARKS / BEMERKUNGEN	
HN.2D.42.Bu.C	ORDERING TEXT / BESTELLTEXT	THIS DRAWING IS A CONTROLLED DOCUMENT.		DWN Schneider 10.11.1997	Tyco Electronics Corporation Harrisburg, Pa 17105-3608	
		DIMENSIONS: mm	TOLERANCES UNLESS OTHERWISE SPECIFIED: GENERAL TOLERANCES n. ISO 8015 n. ISO 2768 -E n. DIN 16901 - 14.0	CHK -		NAME
			0 PLC +- 1 PLC +- 2 PLC +- 3 PLC +- 4 PLC +- ANGLES +-	APVD -	PRODUCT SPEC -	Female insert Buchseinsatz HN.2D.42
		MATERIAL 1	FINISH 2	APVD -	APPLICATION SPEC -	SIZE CAGE CODE DRAWING NO RESTRICTED TO
CUSTOMER DRAWING			WEIGHT 56g	A3 00779	G-1103206	
			SCALE 1:1	SHEET 1 OF 1	REV A3	

# Mouser Electronics

Authorized Distributor

Click to View Pricing, Inventory, Delivery & Lifecycle Information:

[TE Connectivity:](#)

[2-1103206-3](#)