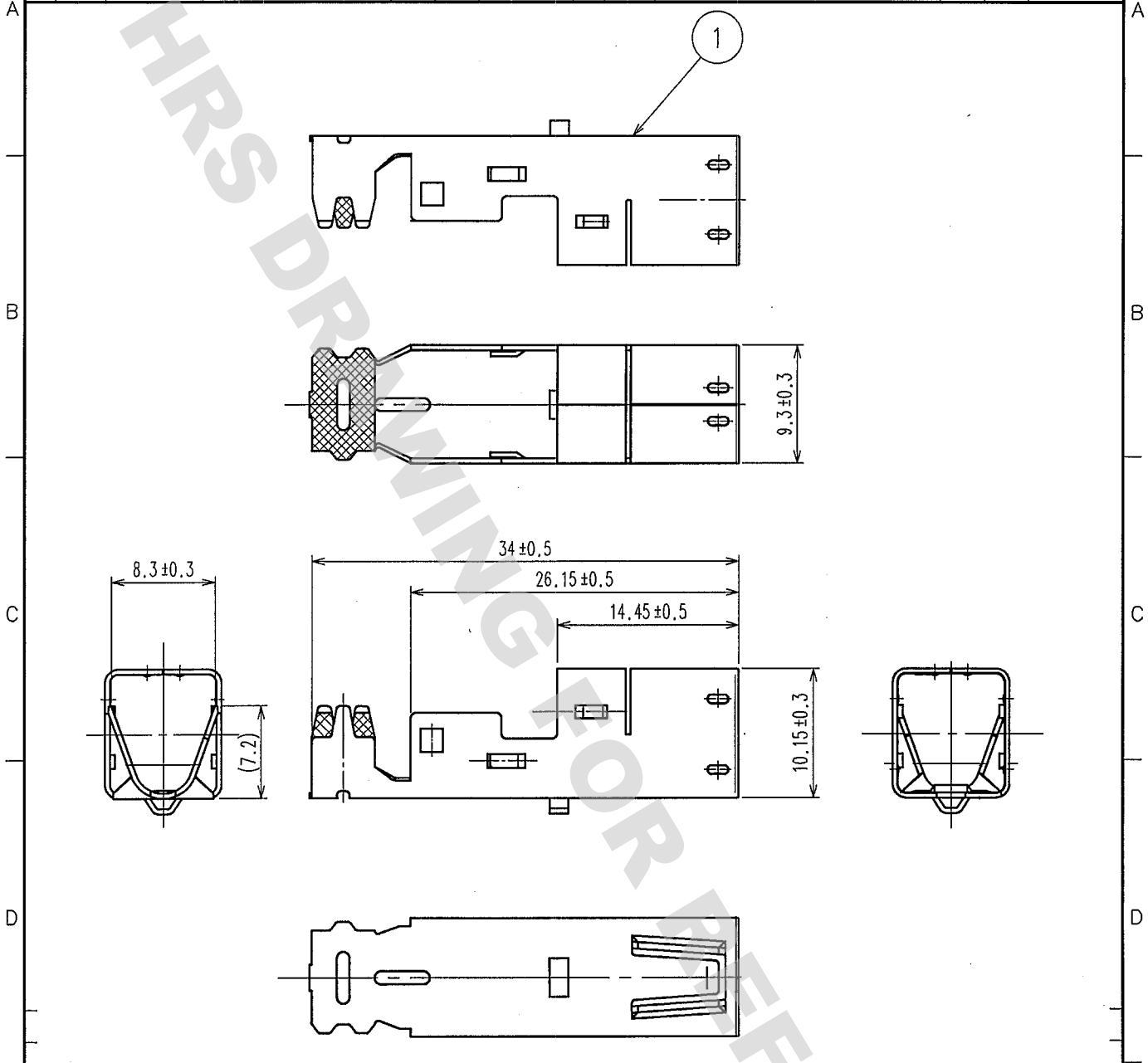


DRAWING FOR REFERENCE: This is subject to change without notice
08/11/2012

1	2			3			4		
COUNT	DESCRIPTION OF REVISIONS	BY	CHKD	DATE	COUNT	DESCRIPTION OF REVISIONS	BY	CHKD	DATE
△					△				
△					△				
△					△				



Applicable Cable: ϕ 4.8-5.0

Pb Free

1	Copper Alloy	Tin Plating			
NO.	MATERIAL	FINISH, REMARKS	NO.	MATERIAL	FINISH, REMARKS

CODE NO. (OLD) CL	DRAWN <i>N. Haru</i> Nagasaki 04.11.04	DESIGNED <i>N. Haru</i> Nagasaki 04.11.04	CHECKED <i>K. Sato</i> 04.11.06	APPROVED <i>K. Sato</i> 04.11.06	RELEASED
----------------------	---	--	---------------------------------------	--	----------

 SCALE 2 : 1 UNITS mm	DRAWING NO. EDC4-166231 HIROSE ELECTRIC CO., LTD.	PART NO. GT17VS-6DP-5CF CODE NO. CL767-0080-5	<table border="1"> <tr> <td>1</td> <td>1</td> </tr> </table>	1	1
1	1				

TO
AMC



Mouser Electronics

Authorized Distributor

Click to View Pricing, Inventory, Delivery & Lifecycle Information:

[Hirose Electric:](#)

[GT17VS-6DP-5CF](#)