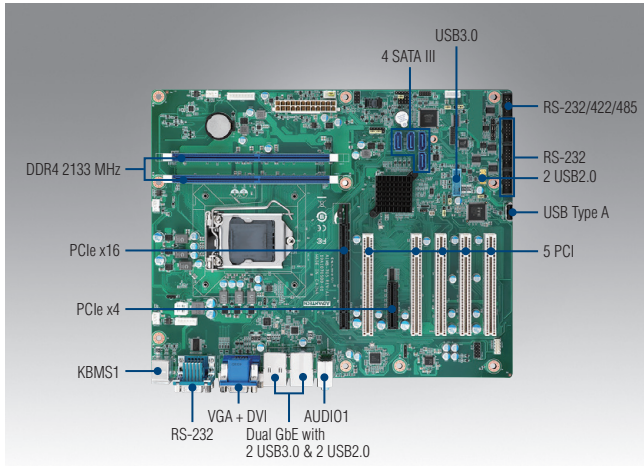


# AIMB-705

**LGA1151 6th/7th Generation Intel® Core™ i7/i5/i3/Pentium®/Celeron® ATX with DVI/VGA, DDR4, SATA III, USB 3.0 & 6 COMs**



## Features

- Intel® 6th/7th generation Core™ i7/i5/i3/Pentium®/Celeron® processor
- Dual channel (Non-ECC) DDR4 1866/2133 up to 32GB
- Supports VGA and DVI display
- Supports SATA3.0, USB3.0, dual GbEs
- Supports 5 RS-232 and 1 RS-232/422/485 serial ports
- 1 PCIe x16 (Gen3) and 1 PCIe x4 (Gen2), and 5 PCI expansion slots

Note 1: Only Intel 6th generation processor can support Windows 7.

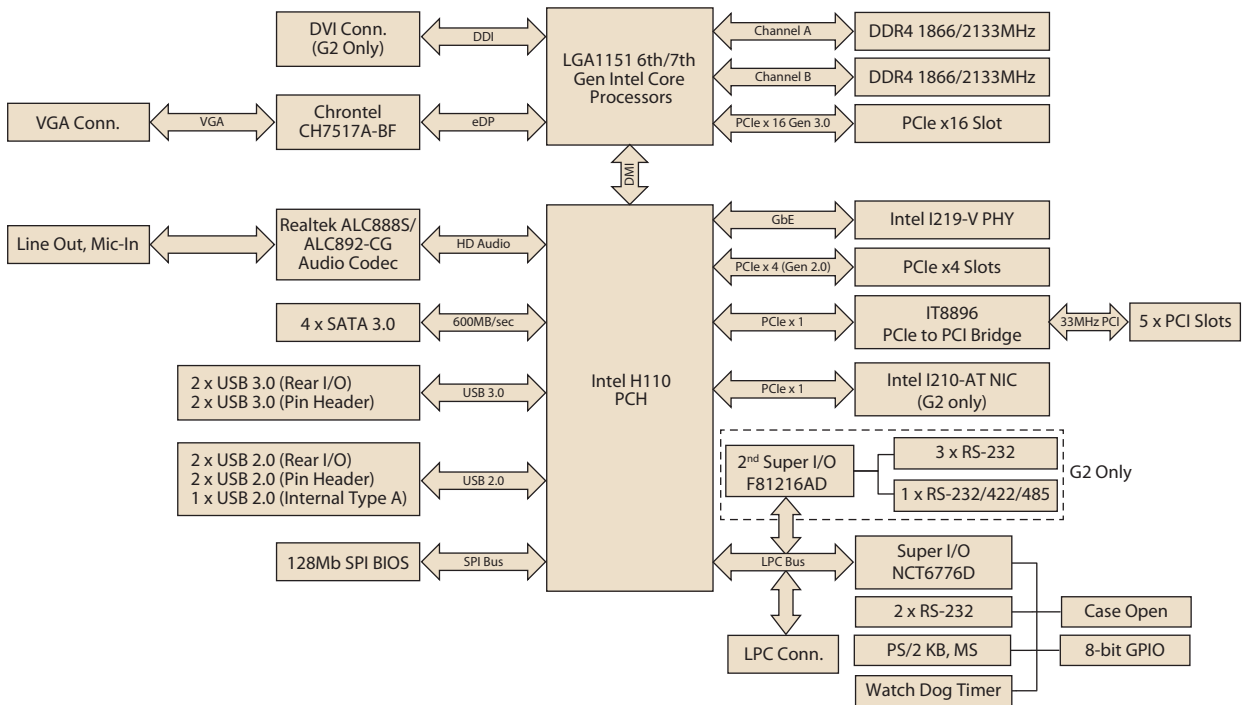
Note 2: dTPM 2.0 module is required to enable Intel vPro and TPM technologies.

## Quiet Specifications

CE FCC

Processor System	CPU	i7-7700	i7-7700T	i7-6700	i7-6700TE	i5-7500	i5-7500T	i5-6500	i5-6500TE	i3-7101E	i3-7101TE	i3-6100	i3-6100TE	G4400	G4400TE	G3900	G3900TE					
	Speed	3.6GHz	2.9GHz	3.4 GHz	2.4 GHz	3.4GHz	2.7GHz	3.2 GHz	2.3 GHz	3.9GHz	3.4GHz	3.7 GHz	2.7 GHz	3.3 GHz	2.9 GHz	2.8 GHz	2.6 GHz					
	Cache	8MB	8MB	8 MB	8 MB	6MB	6MB	6 MB	6 MB	3MB	3MB	4 MB	4 MB	3 MB	3 MB	2 MB	2 MB					
	Cores	4	4	4	4	4	4	4	4	2	2	2	2	2	2	2	2					
	TDP	65 W	35 W	65 W	35 W	65 W	35 W	65 W	35 W	54 W	35 W	65 W	35 W	65 W	35 W	65 W	35 W					
	Socket	LGA 1151																				
	Chipset	Intel H110																				
	BIOS	AMI 128Mbit SPI Flash																				
	Expansion Slot	PCI	32-bit/33 MHz, 5 slots																			
		PCIe x4 (Gen2)	2 GB/s per direction, 1 slot																			
PCIe x16 (Gen3)		16 GB/s per direction, 1 slot																				
Memory	Technology	Dual Channel Non-ECC UDIMM DDR4 1866/2133																				
	Max Capacity	32 GB (16 GB per DIMM)																				
	Sockets	2 (288-pin DIMM)																				
Graphics	Controller	Chipset integrated Intel HD Graphics																				
	VRAM	Shared system memory is subject to OS																				
Ethernet	Interface	10/100/1000 Mbps																				
	Controller	GbE LAN1: Intel I219-V, GbE LAN2 for G2 version: Intel I210-AT																				
	Connector	2 (RJ-45)																				
SATA	Max Data Transfer Rate	600 MB/s																				
	Channel	4																				
Rear I/O	VGA	1 (Resolution up to 1920 x 1200 @ 60Hz)																				
	DVI	1 for G2 version (Resolution up to 1920 x 1200 @ 60Hz)																				
	Ethernet	2 for G2 version; 1 for VG version																				
	USB	4 (USB3.0 x2, USB2.0 x2)																				
	Audio	Line-out, Mic-in																				
	Serial	2																				
	PS/2	2 (1 x keyboard and 1 x mouse)																				
Internal Connectors	USB	1 (Type A); 2 (USB2.0, Pin-header); 2 (USB3.0, Box-header)																				
	Serial	4 for G2 version (3 x RS-232, box-header; 1 x RS-232/422/485 with auto-flow control, box-header)																				
	SATA	4																				
	LPC	1 (Optional dTPM 2.0 module available)																				
	GPIO	8 bits																				
	Watchdog Timer	Output	System reset																			
Interval		Programmable 1 - 255 sec																				
Power Requirement	Test Environment	Intel Core i7-6700 3.4GHz; DDR4 2133 8GB x 2																				
	Voltage	3.3V	5V				12V				5Vsb				-5V				-12V			
	Current	0.49A	3.13A				7.88A				0.08A				0.07A				0.07A			
Environment	Operating	0 ~ 60 °C (32 ~ 140 °F), depends on CPU speed and system thermal solution																				
	Non-Operating	-40 ~ 85 °C (-40 ~ 185 °F)																				
Physical Characteristics	Humidity	40 °C @ 95% RH Non-condensing																				
	Dimensions (L x H)	304.8 x 244 mm (12" x 9.6")																				

### Block Diagram



### Ordering Information

Part Number	Chipset	Memory	Display	USB 3.0	USB 2.0	COM	GbE LAN	AMT	SATA	SW RAID	Intelligent System Module Support
AIMB-705G2-00A3	H110	Non-ECC	VGA + DVI	4	5	6	2	No	4	No	No
AIMB-705VG-00A2	H110	Non-ECC	VGA	4	5	2	1	No	4	No	No

### Packing List

Part Number	Description	Quantity
1700003194	SATA HDD cable	x2
1700022749-11/ 1700022749-12/ 1700022749-13	SATA power cable	x1
1960050472T000	I/O port bracket	x1
2001070512	Startup manual	x1
2061070501	Driver CD	x1

### Optional Accessories

Part Number	Description
1701090401	Single COM port cable(40 cm)
1701092300	Dual COM port cable(28.5 cm)
1700028292-01	2-port USB 3.0 cable w/ BKT(30 cm)
1700002204	2-port USB 2.0 cable w/ BKT(27 cm)
1960047669N001	CPU cooler for 4U and wallmount chassis
1960052651N021	CPU cooler for 2U, 4U, and wallmount chassis
1960049408N001	CPU heatsink for 1U chassis (for CPU TDP=35W only)
1960055954T000	IO bracket for 1U chassis
PCA-COM232-00A1E	4-port RS-232 LPC module
PCA-TPM-00B1E	dTPM 2.0 LPC module to enable TPM and vPro technologies

Note: Purchasing AIMB-705's proprietary CPU cooler from Advantech is a must. Other brands' CPU coolers are NOT compatible with AIMB-705.

### I/O View



AIMB-705G2-00A3



AIMB-705VG-00A2

### Riser Card

Part Number	Description
AIMB-RP10P-01A1E	1U riser card providing 1 PCI slot
AIMB-RF10F-01A1E	1U riser card providing 1 PCIe x 16 slot
AIMB-RP30P-03A1E	2U riser card providing 3 PCI slots
AIMB-RP3PF-21A1E	2U riser card providing 1 PCIe x 16 and 2 PCI slots