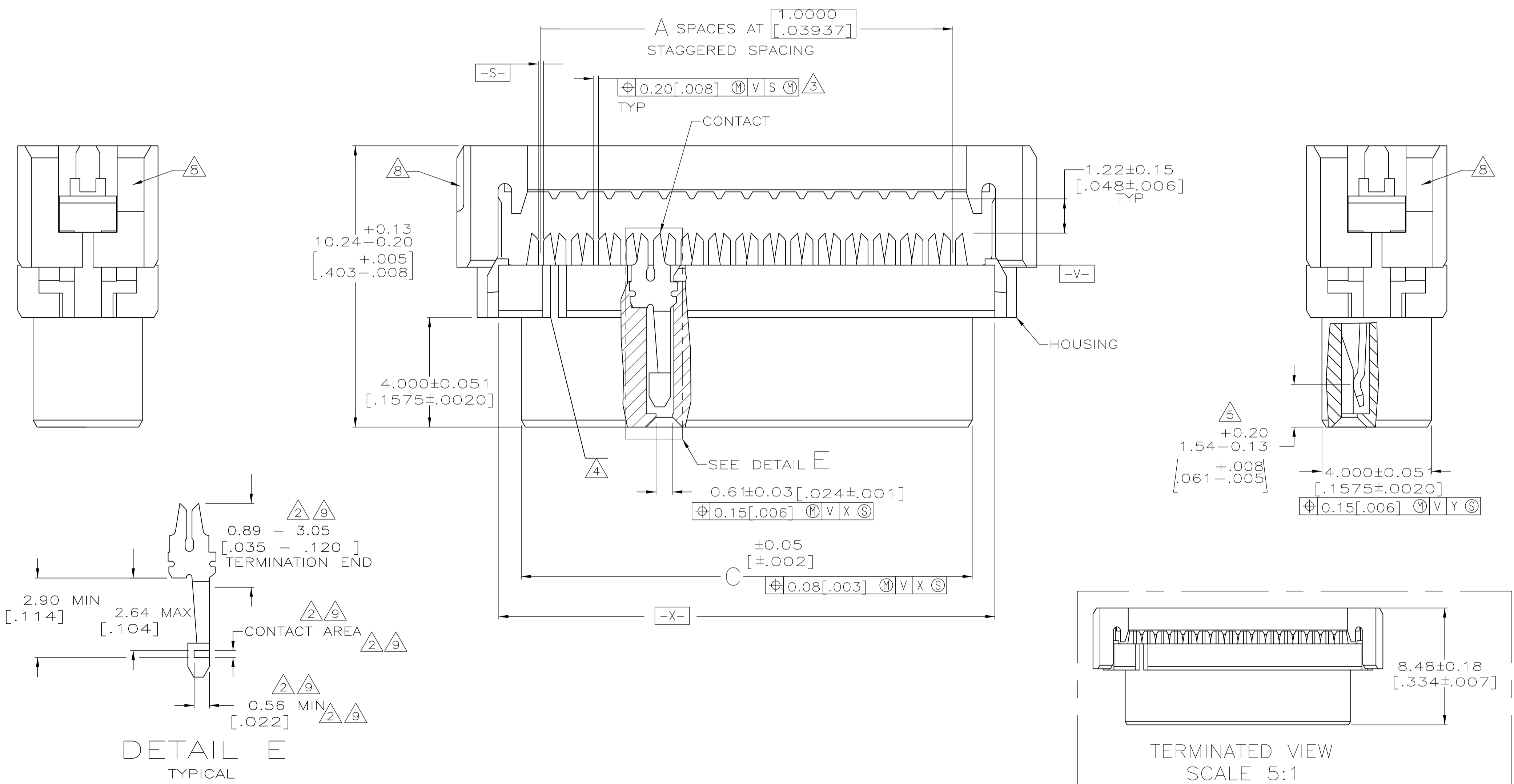


- 1 MOLDED PARTS: POLYESTER, UL RATED 94V-0, BLACK. CONTACTS: BERYLLIUM COPPER.
- 2 2.54 μm [.000100] MIN TIN-LEAD ON TERMINATION END, 0.76 μm [.000030] MIN GOLD ON CONTACT AREA, ALL OVER 1.27 μm [.000050] MIN NICKEL.
- 3 POSITION TOLERANCE APPLIES 0.76 [.030] ABOVE DATUM V.
- 4 POSITION NUMBER 1 INDICATOR.
- 5 ELECTRICAL ENGAGEMENT ZONE.
- 6 RECOMMENDED 28 AWG RIBBON CABLE, 0.61 - 0.97 [.024 - .038] THICK PVC, 1.0000 [.03937] PITCH.
- 7 AMP LOGO ORIENTATION IS OPTIONAL.
- 8 RECESS ON EACH END, OPPOSITE CORNER.
- 9 0.13 μm [.000005] MIN GOLD ON TERMINATION END, 0.76 μm [.000030] MIN GOLD ON CONTACT AREA, ALL OVER 1.27 μm [.000050] MIN NICKEL.
- 10 MOLD GATE PROJECTION ON EITHER END OF COVER TO BE EXCLUDED FROM DIMENSION 'B' MEASUREMENT.



	9	0.0000	26.42	31.17	25	26	2-111626-7
	9	.000000	[1.040]	[1.227]			
	9	1.0000	24.41	29.18	23	24	2-111626-6
	9	.03937	[.961]	[1.149]			
	9	1.0000	16.41	21.18	15	16	2-111626-5
	9	.03937	[.646]	[.834]			
	9	1.0000	8.41	13.18	7	8	2-111626-4
	9	.03937	[.331]	[.519]			
	9	0.0000	50.39	55.17	49	50	2-111626-3
	9	.000000	[1.984]	[2.172]			
	9	1.0000	44.40	49.17	43	44	2-111626-2
	9	.03937	[1.748]	[1.936]			
	9	1.0000	40.41	45.19	39	40	2-111626-1
	9	.03937	[1.591]	[1.779]			
	9	0.0000	34.42	39.17	33	34	2-111626-0
	9	.000000	[1.355]	[1.542]			
	9	1.0000	20.40	25.17	19	20	1-111626-9
	9	.03937	[.803]	[.991]			
	9	0.0000	14.40	19.18	13	14	1-111626-8
	9	.000000	[.567]	[.755]			
	9	0.0000	10.41	15.16	9	10	1-111626-7
	9	.000000	[.410]	[.597]			
OBSOLETE	2	1.0000	8.41	13.18	7	8	1-111626-6
	2	.03937	[.331]	[.519]			
OBSOLETE	2	0.0000	22.40	27.18	21	22	1-111626-5
	2	.000000	[.882]	[1.070]			
OBSOLETE	2	1.0000	68.40	73.18	67	68	1-111626-4
	2	.03937	[2.693]	[2.881]			
OBSOLETE	2	1.0000	64.41	69.16	63	64	1-111626-3
	2	.03937	[2.536]	[2.723]			
OBSOLETE	2	1.0000	60.40	65.18	59	60	1-111626-2
	2	.03937	[2.378]	[2.566]			
OBSOLETE	2	0.0000	50.39	55.17	49	50	1-111626-1
	2	.000000	[1.984]	[2.172]			
	2	1.0000	44.40	49.17	43	44	1-111626-0
	2	.03937	[1.748]	[1.936]			
OBSOLETE	2	1.0000	40.41	45.19	39	40	111626-9
	2	.03937	[1.591]	[1.779]			
OBSOLETE	2	0.0000	34.42	39.17	33	34	111626-8
	2	.000000	[1.355]	[1.542]			
OBSOLETE	2	0.0000	30.40	35.18	29	30	111626-7
	2	.000000	[1.197]	[1.385]			
OBSOLETE	2	0.0000	26.42	31.17	25	26	111626-6
	2	.000000	[1.040]	[1.227]			
OBSOLETE	2	1.0000	24.41	29.18	23	24	111626-5
	2	.03937	[.961]	[1.149]			
OBSOLETE	2	1.0000	20.40	25.17	19	20	111626-4
	2	.03937	[.803]	[.991]			
OBSOLETE	2	1.0000	16.41	21.18	15	16	111626-3
	2	.03937	[.646]	[.834]			
OBSOLETE	2	0.0000	14.40	19.18	13	14	111626-2
	2	.000000	[.567]	[.755]			
OBSOLETE	2	0.0000	10.41	15.16	9	10	111626-1
	2	.000000	[.410]	[.597]			

THIS DRAWING IS A CONTROLLED DOCUMENT. DIMENSIONS: mm [INCHES]. TOLERANCES UNLESS OTHERWISE SPECIFIED: 0 PLC ± .005, 1 PLC ± .005, 2 PLC ± .005, 3 PLC ± .005, 4 PLC ± .005. MATERIAL: POLYESTER. FINISH: POLYESTER. CONTACT FINISH: BERYLLIUM COPPER. D, C, B, A, NO OF POSN, PART NO. RECEIPTABLE ASSY, 2mm CL, AMP-LATCH. SCALE 10:1. SHEET 1 OF 1. REV M2.

Mouser Electronics

Authorized Distributor

Click to View Pricing, Inventory, Delivery & Lifecycle Information:

[TE Connectivity:](#)

[2-111626-3](#)